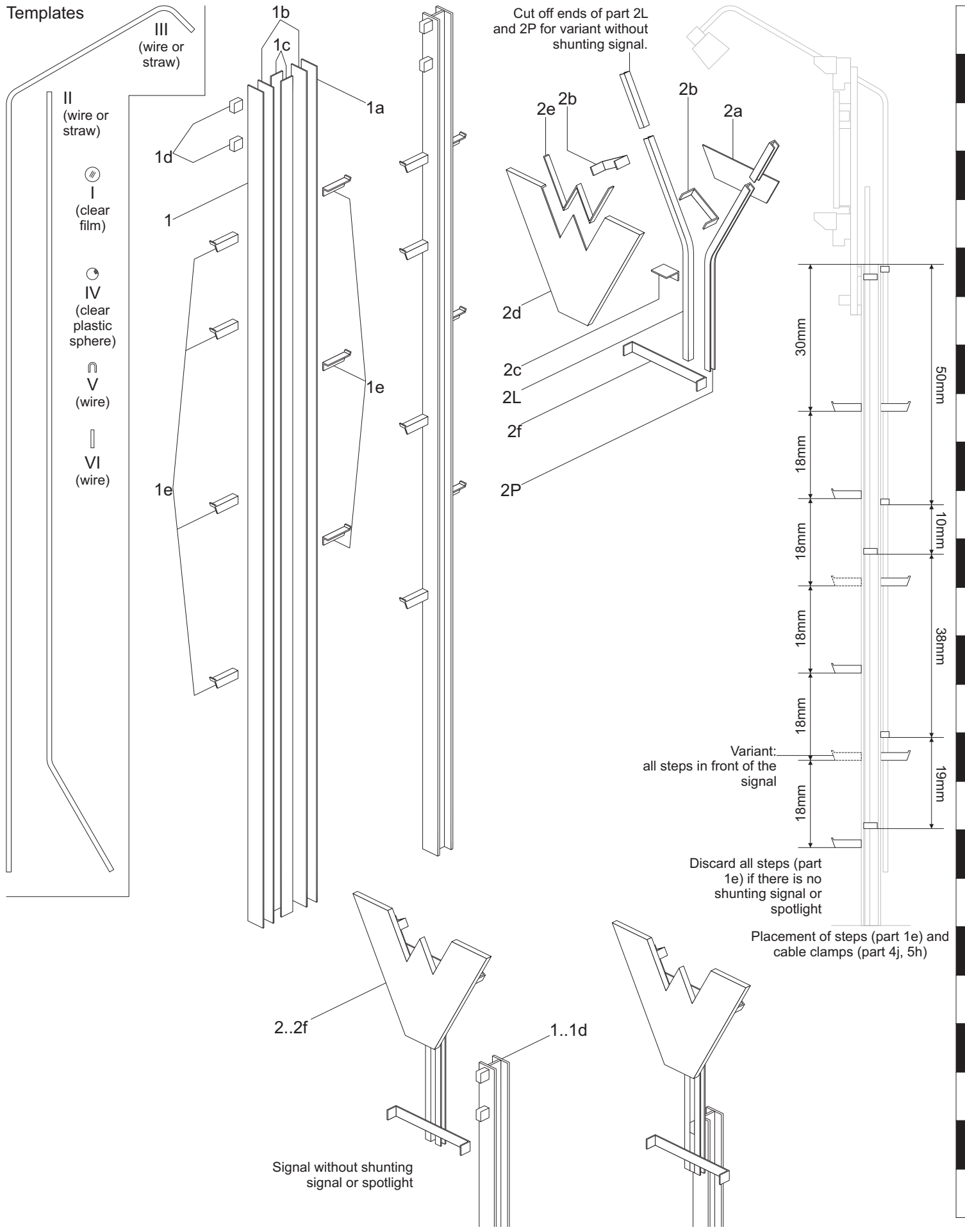


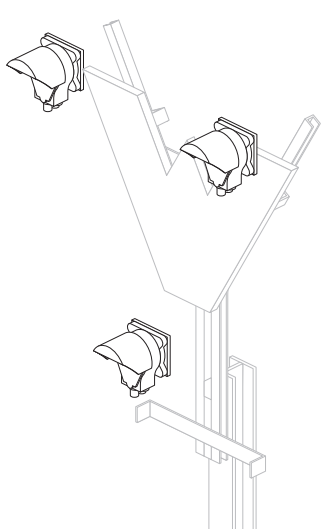
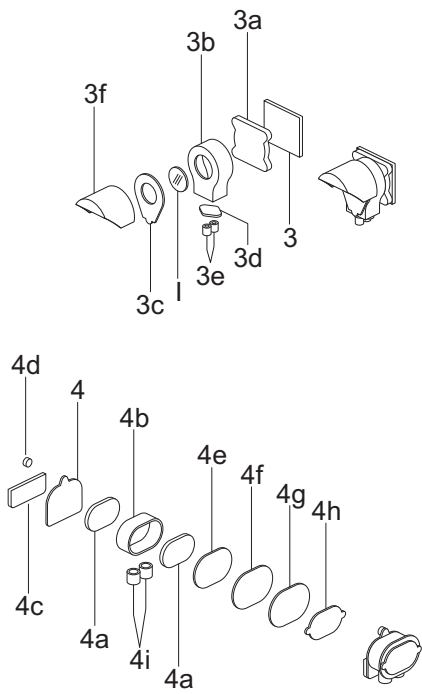
Waiting signal, scale 1:25

Templates

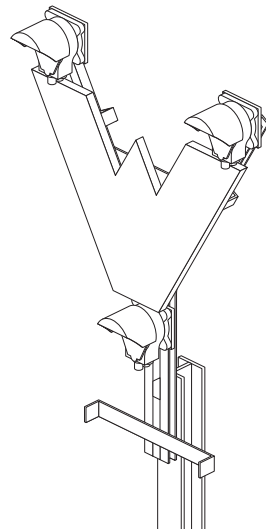


Waiting signal, scale 1:25

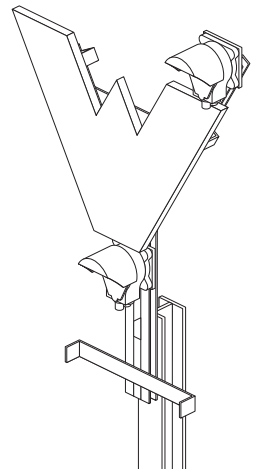
Assembly manual 1/4



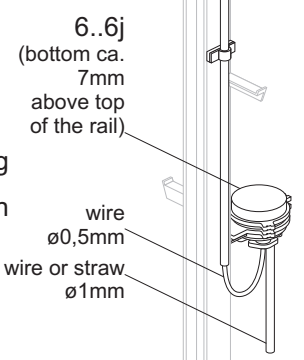
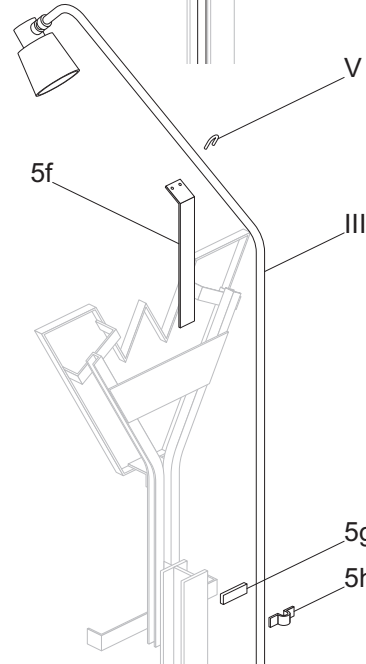
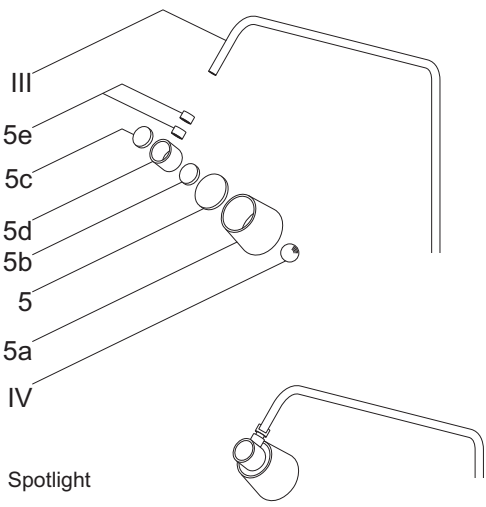
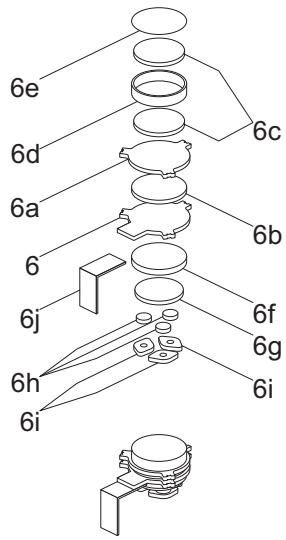
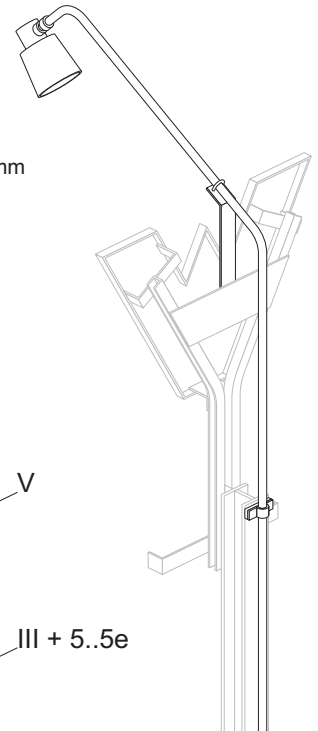
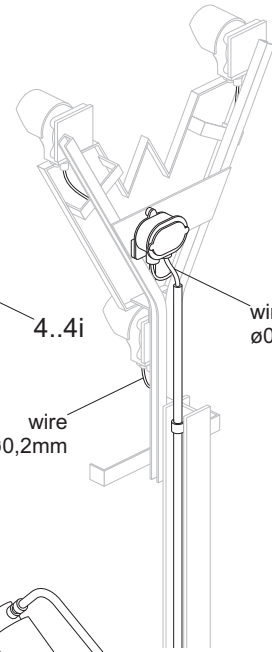
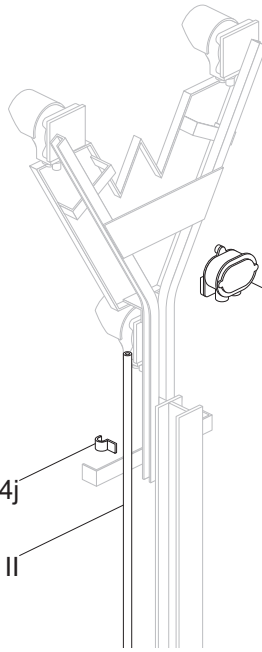
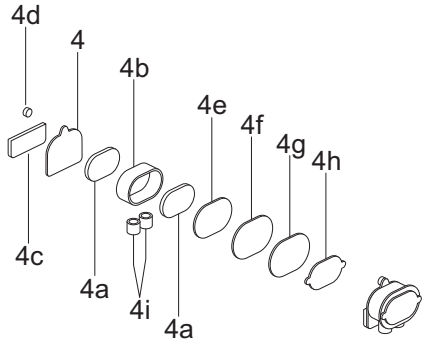
Lamps of the shunting signal



Shunting signal used before 1959

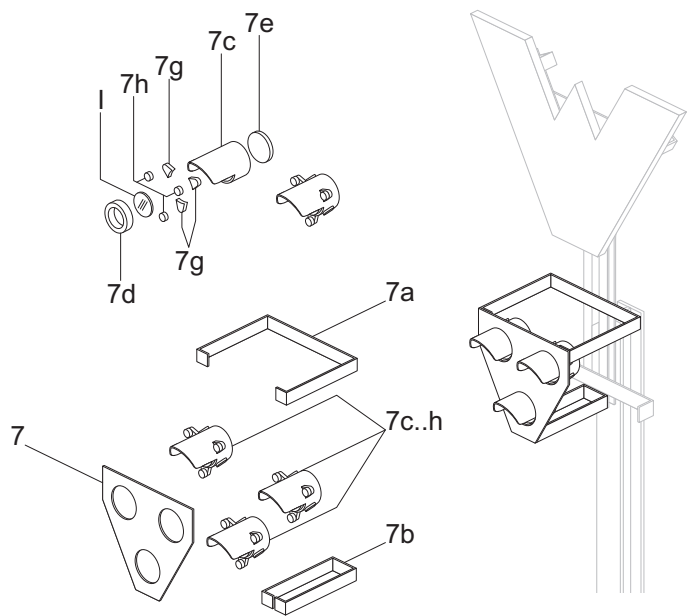


Shunting signal used after 1959

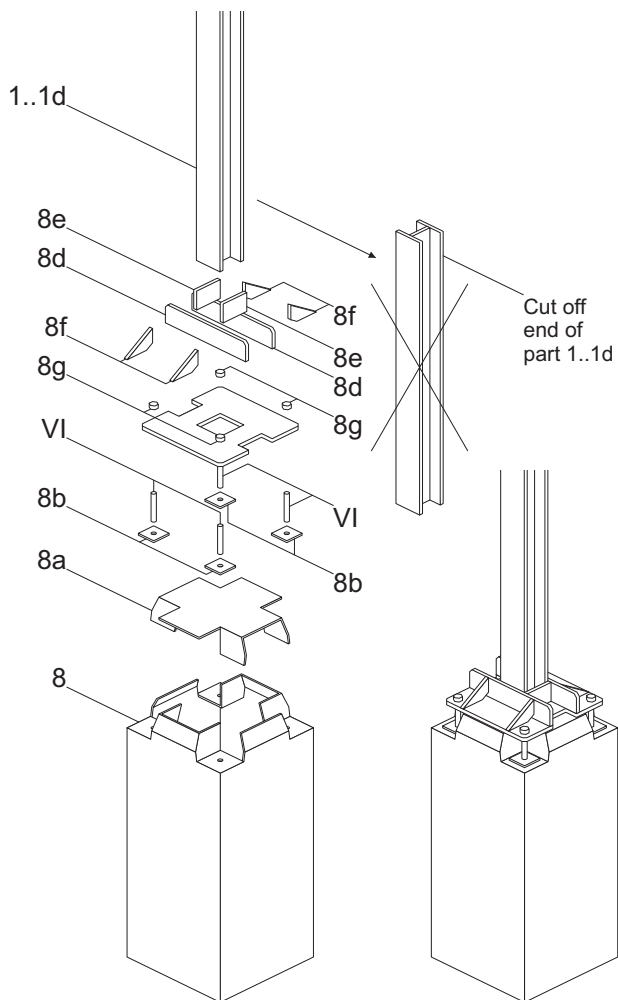
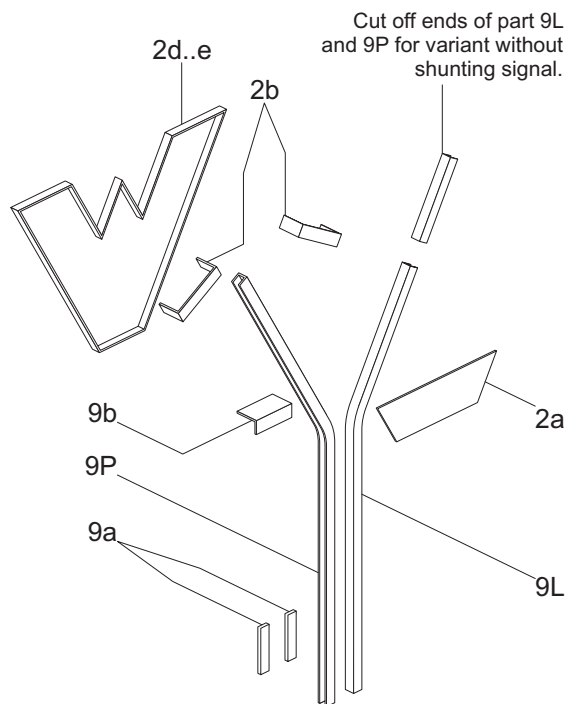


Waiting signal, scale 1:25

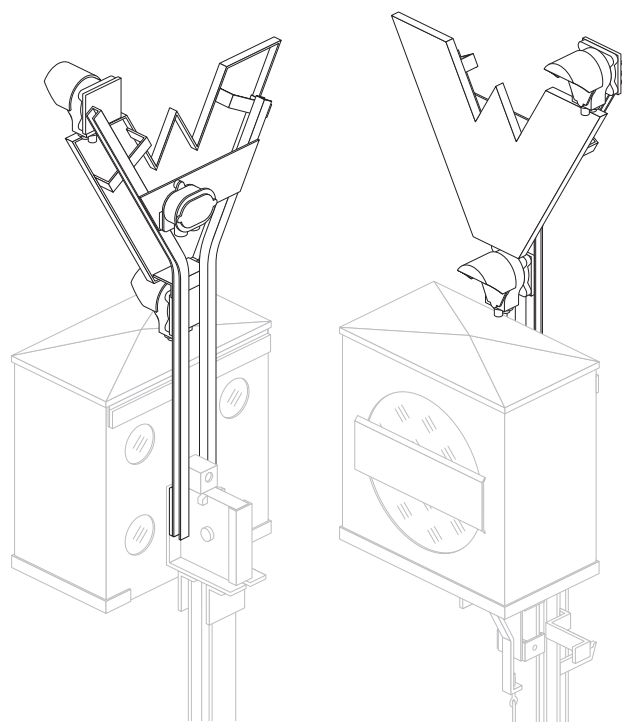
Assembly manual 2/4



Shunting signal of older type



Post based on a concrete foundation

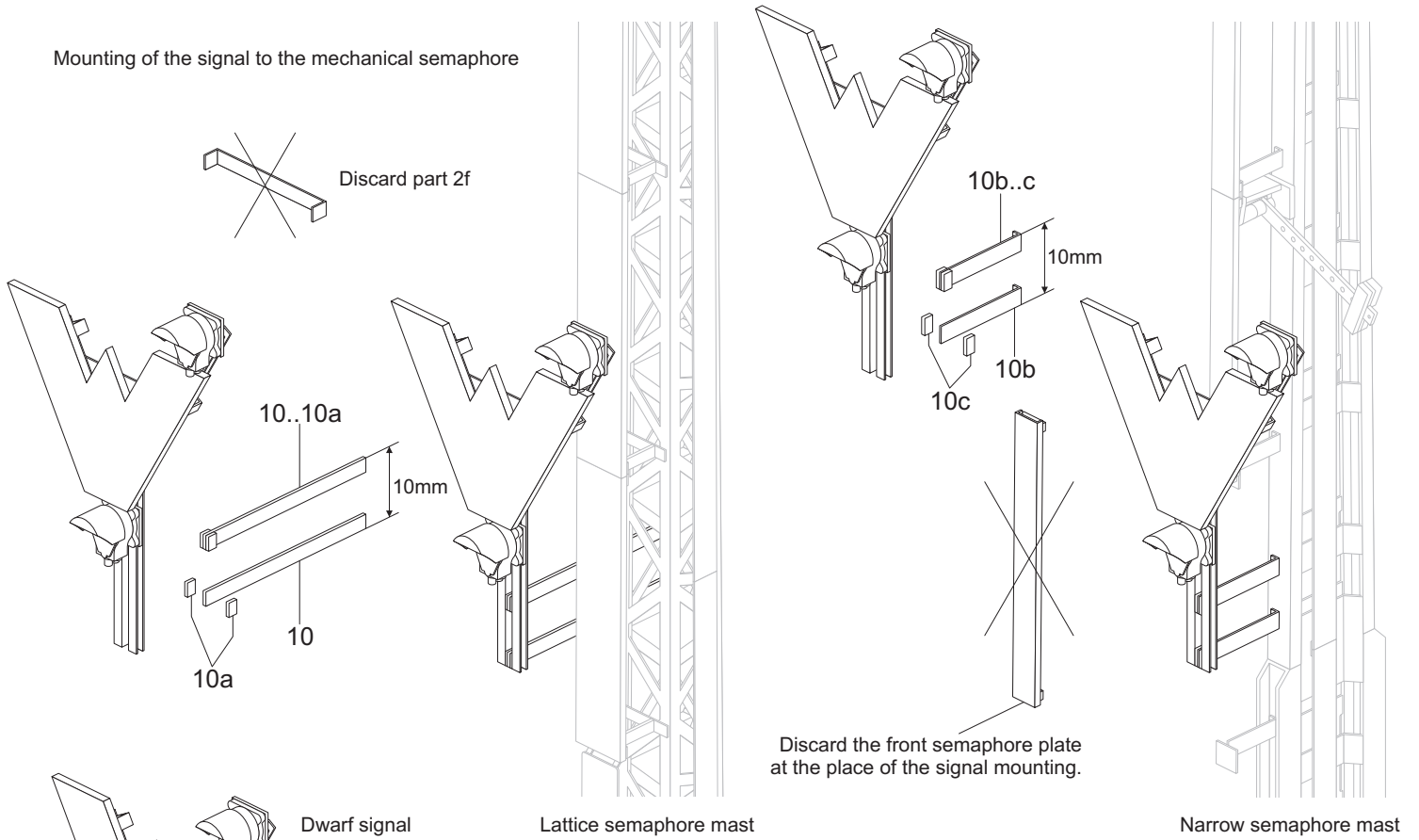


Waiting signal on top of the blocking signal (here together with the shunting signal)

Waiting signal, scale 1:25

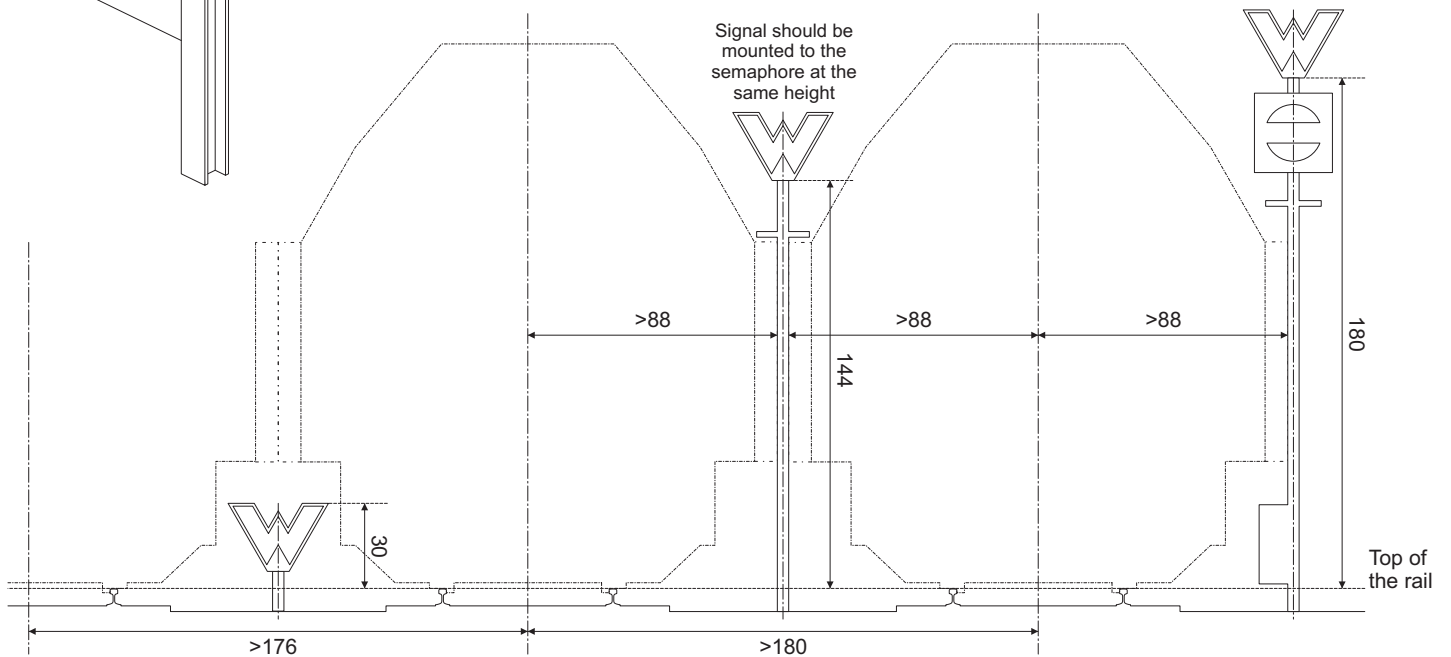
Assembly manual 3/4

Mounting of the signal to the mechanical semaphore



Shorten part 1..1d to ca. 30mm

Signal placement against the loading gauge (dimensions in mm)



Waiting signal, scale 1:25

Assembly manual 4/4