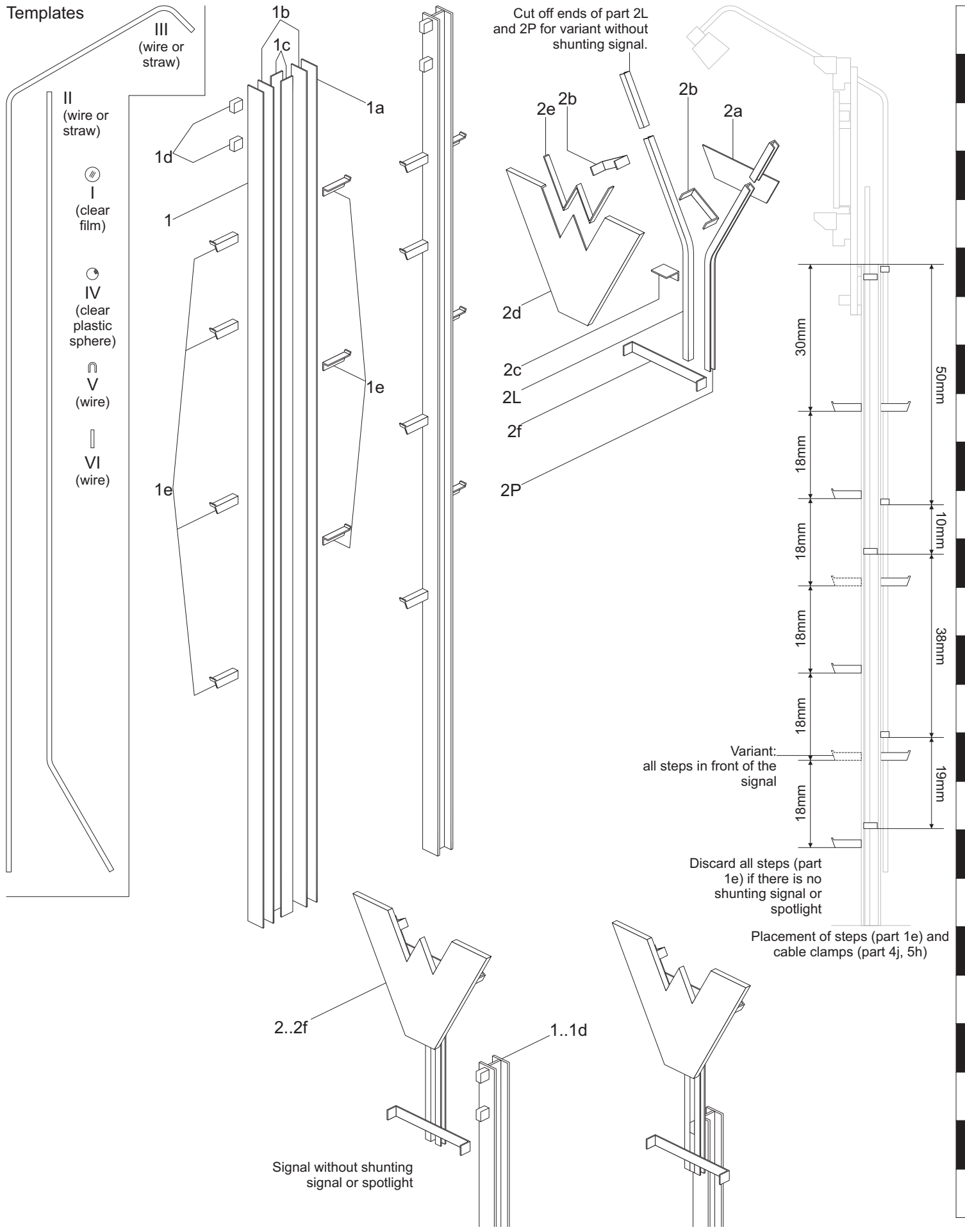


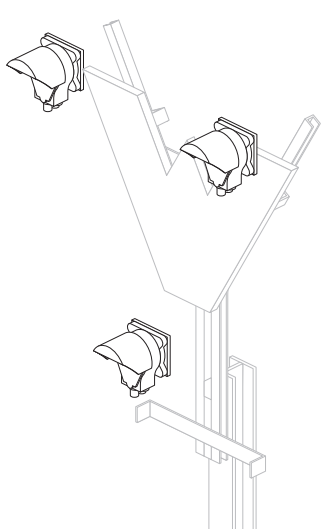
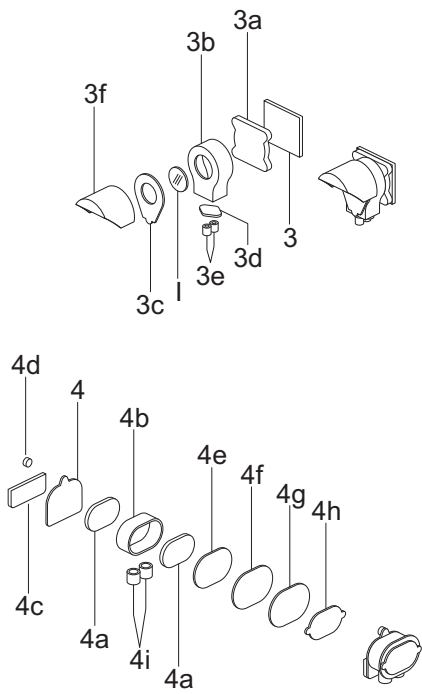
Waiting signal, scale 1:25

Templates

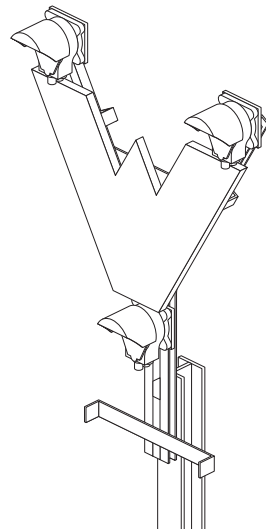


Waiting signal, scale 1:25

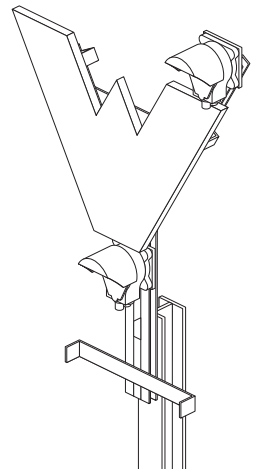
Assembly manual 1/4



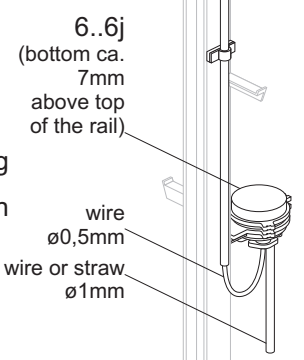
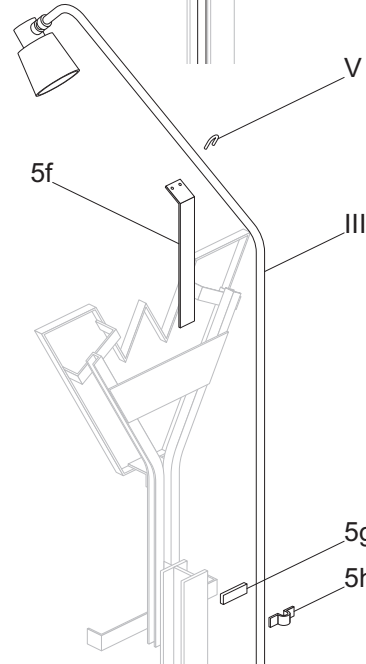
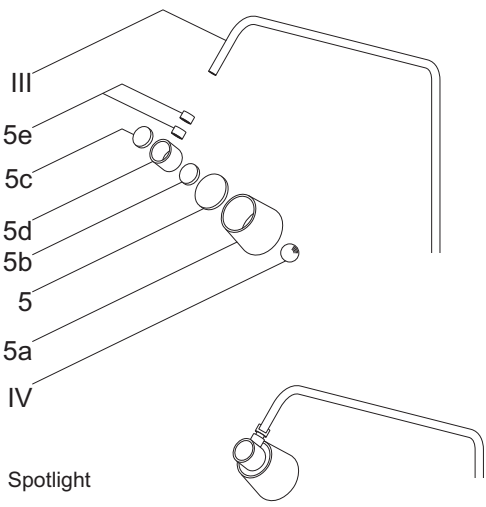
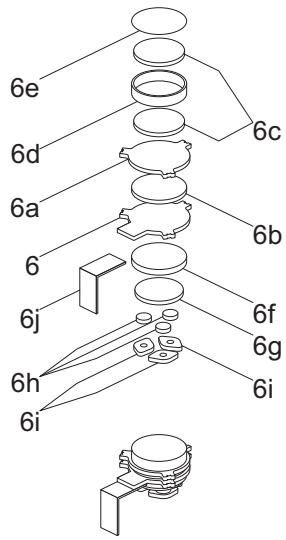
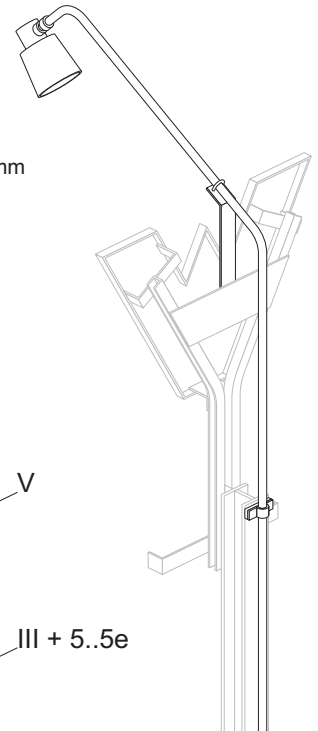
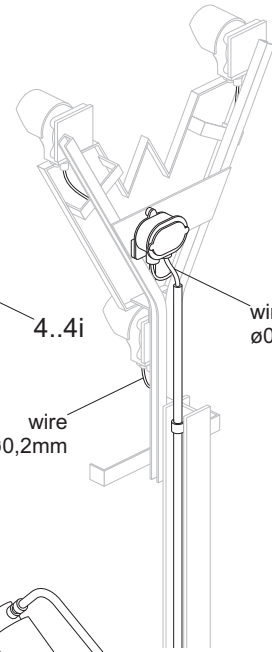
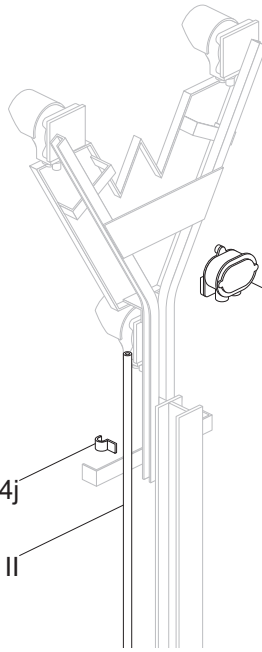
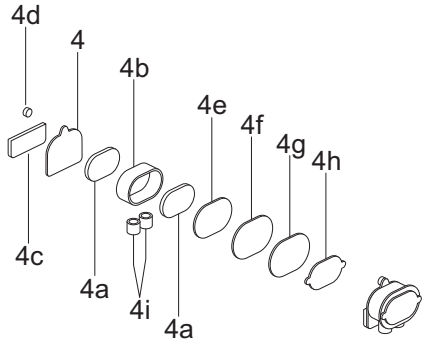
Lamps of the shunting signal



Shunting signal used before 1959

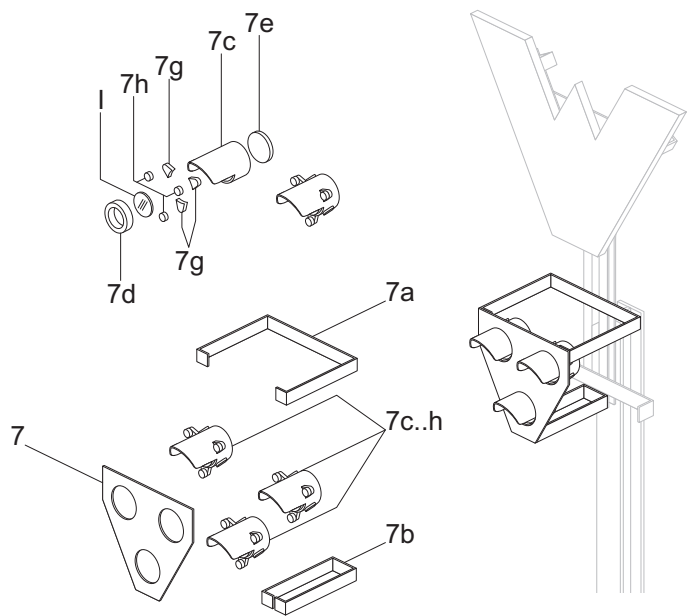


Shunting signal used after 1959

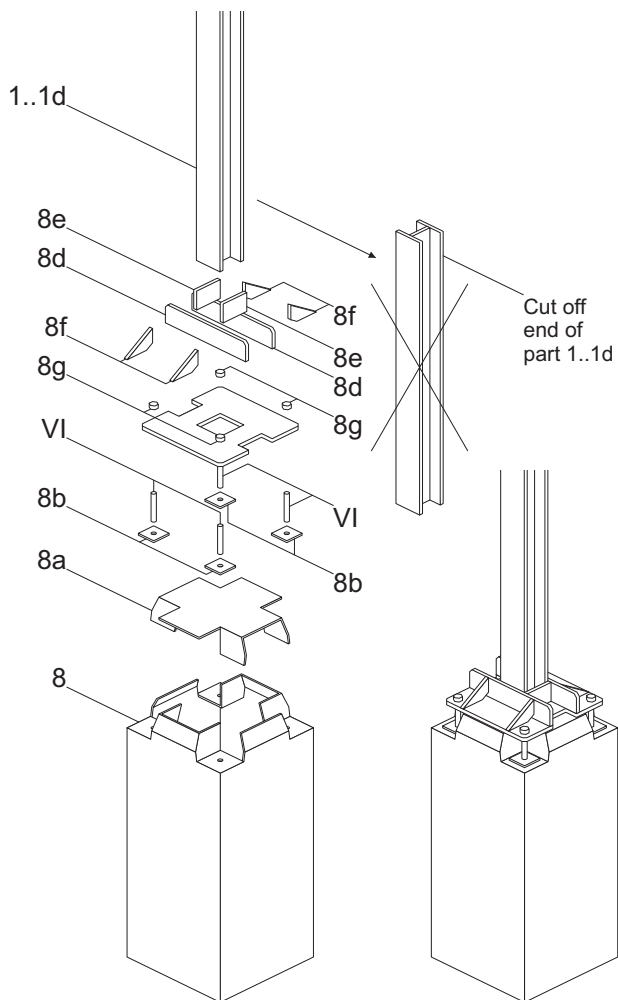
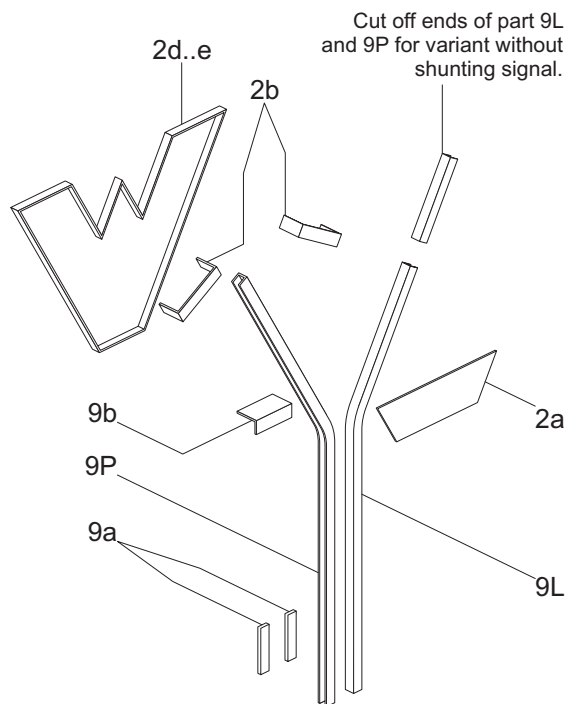


Waiting signal, scale 1:25

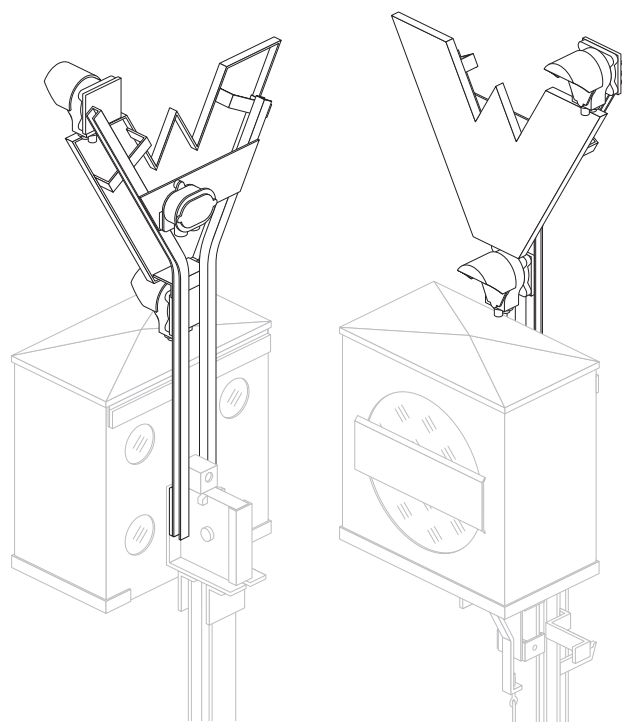
Assembly manual 2/4



Shunting signal of older type



Post based on a concrete foundation

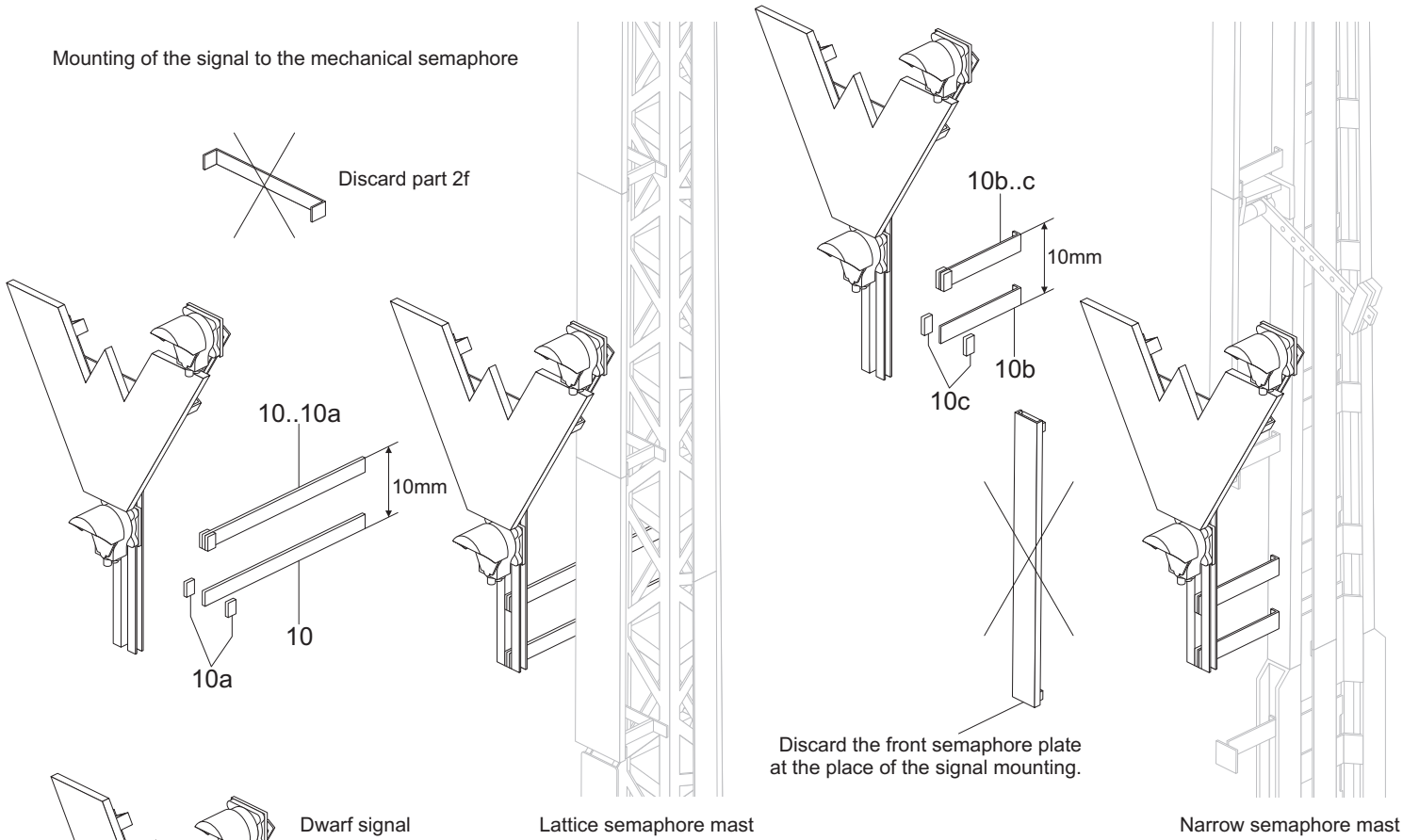


Waiting signal on top of the blocking signal (here together with the shunting signal)

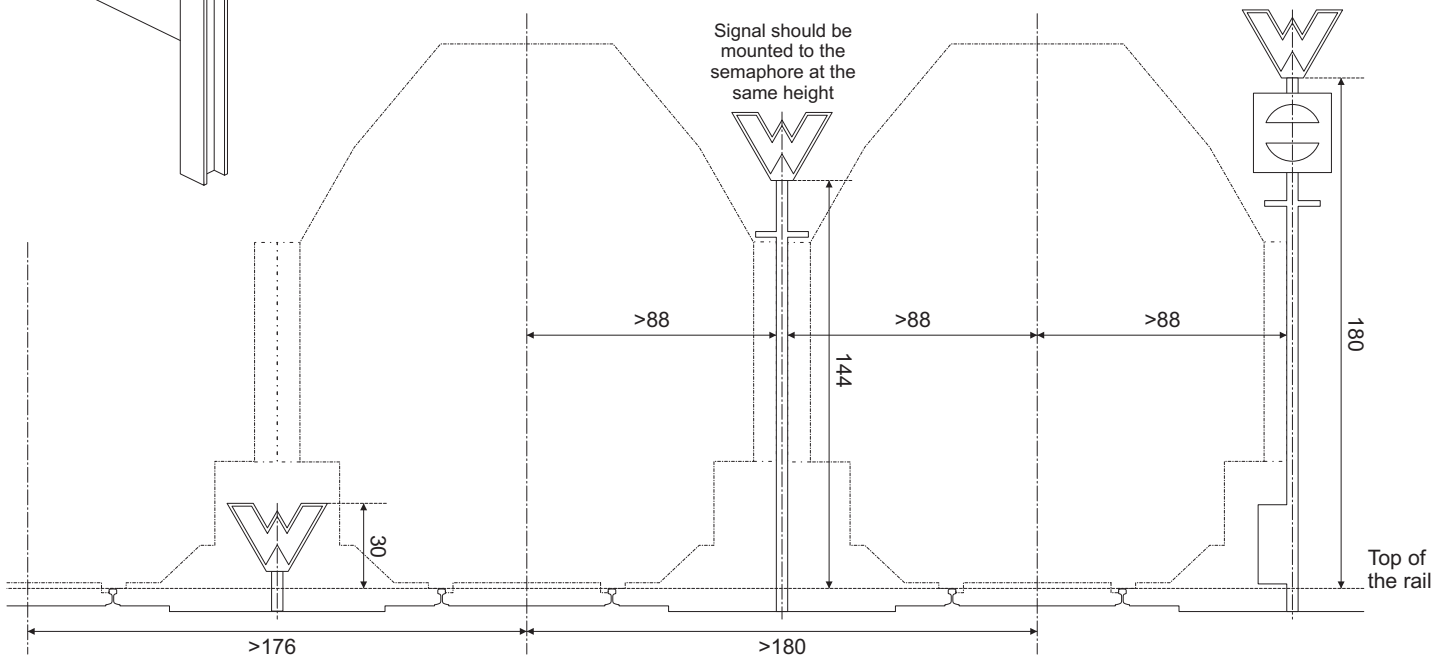
Waiting signal, scale 1:25

Assembly manual 3/4

Mounting of the signal to the mechanical semaphore



Signal placement against the loading gauge
(dimensions in mm)



Waiting signal, scale 1:25

Assembly manual 4/4