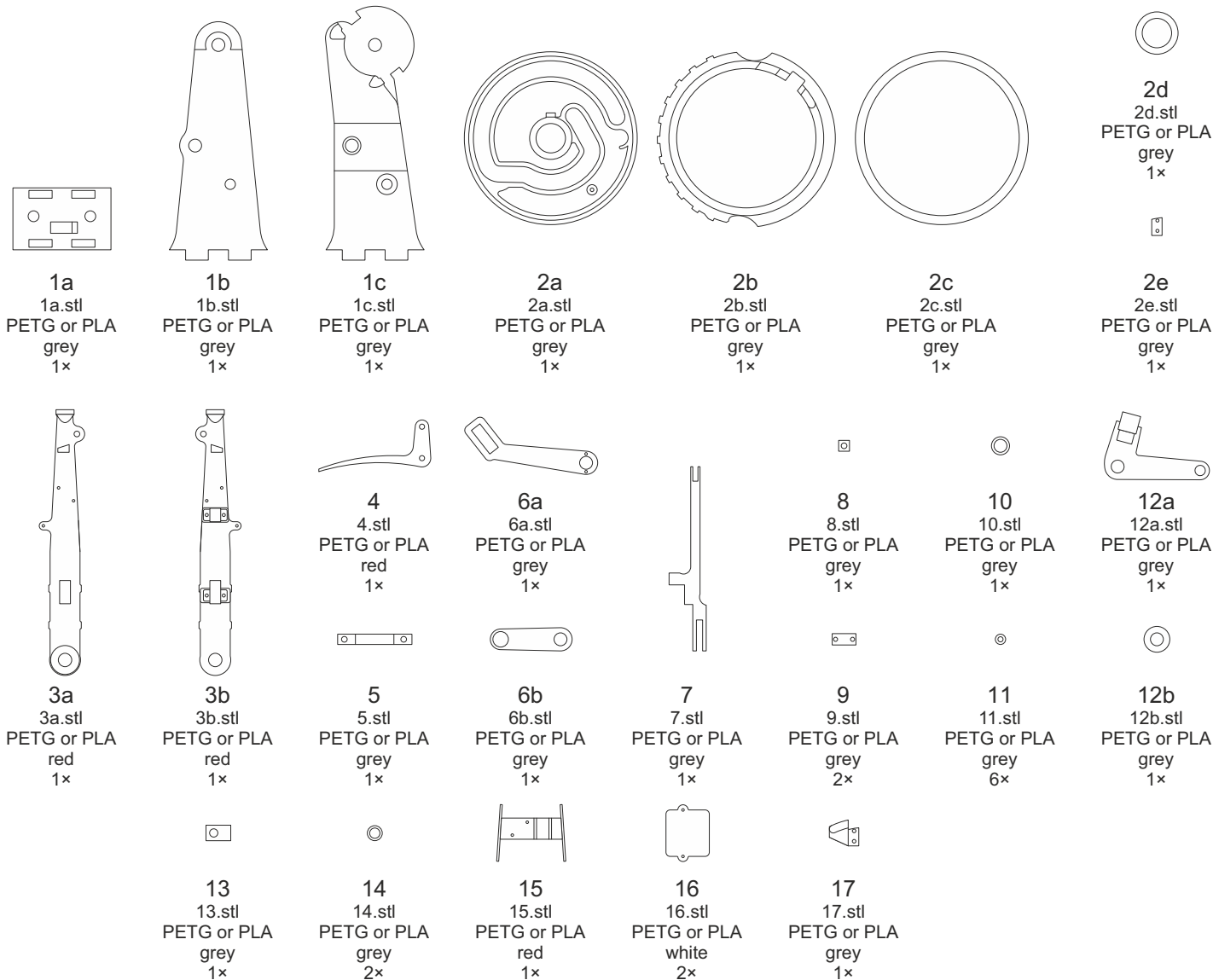
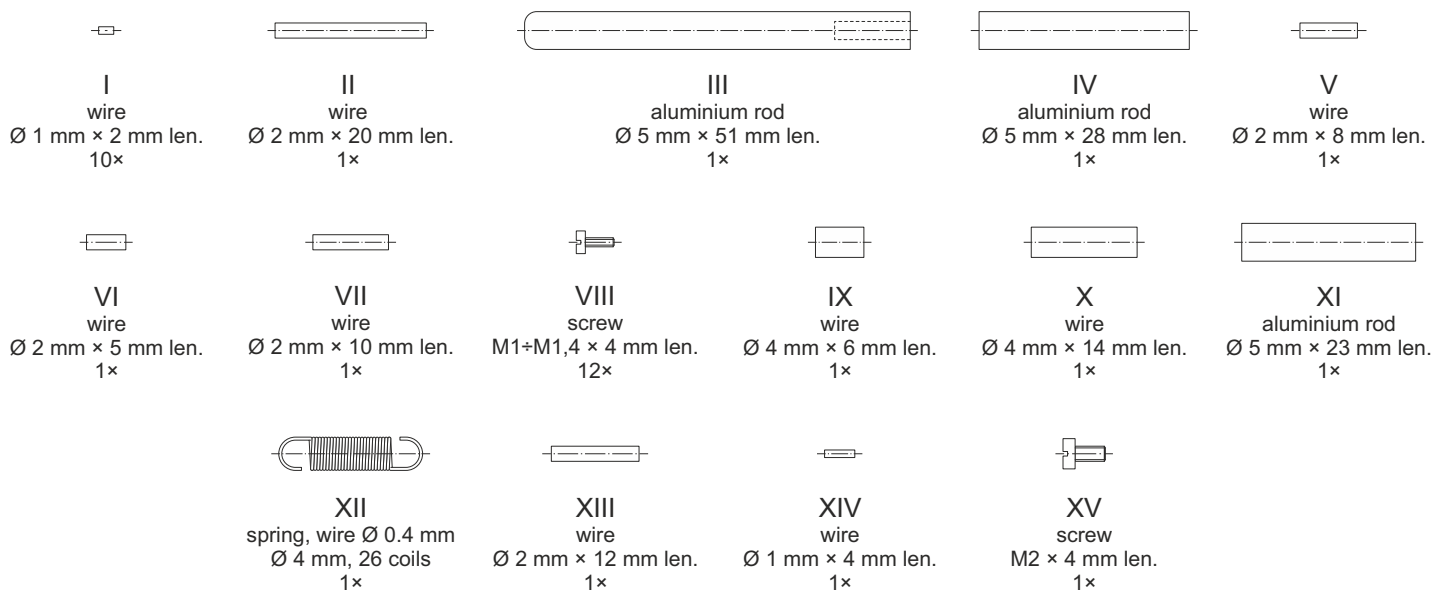


Parts for 3D printing

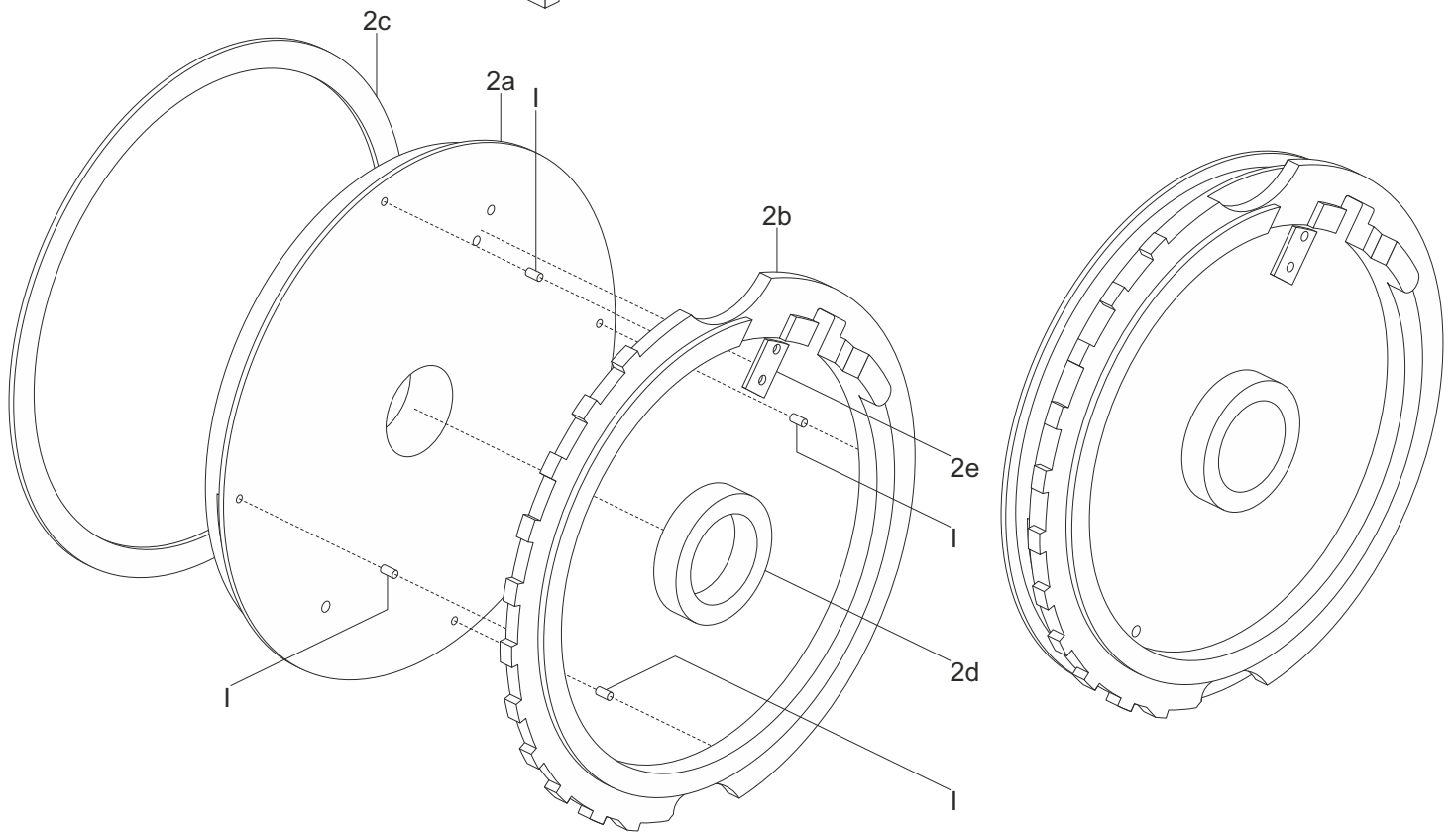
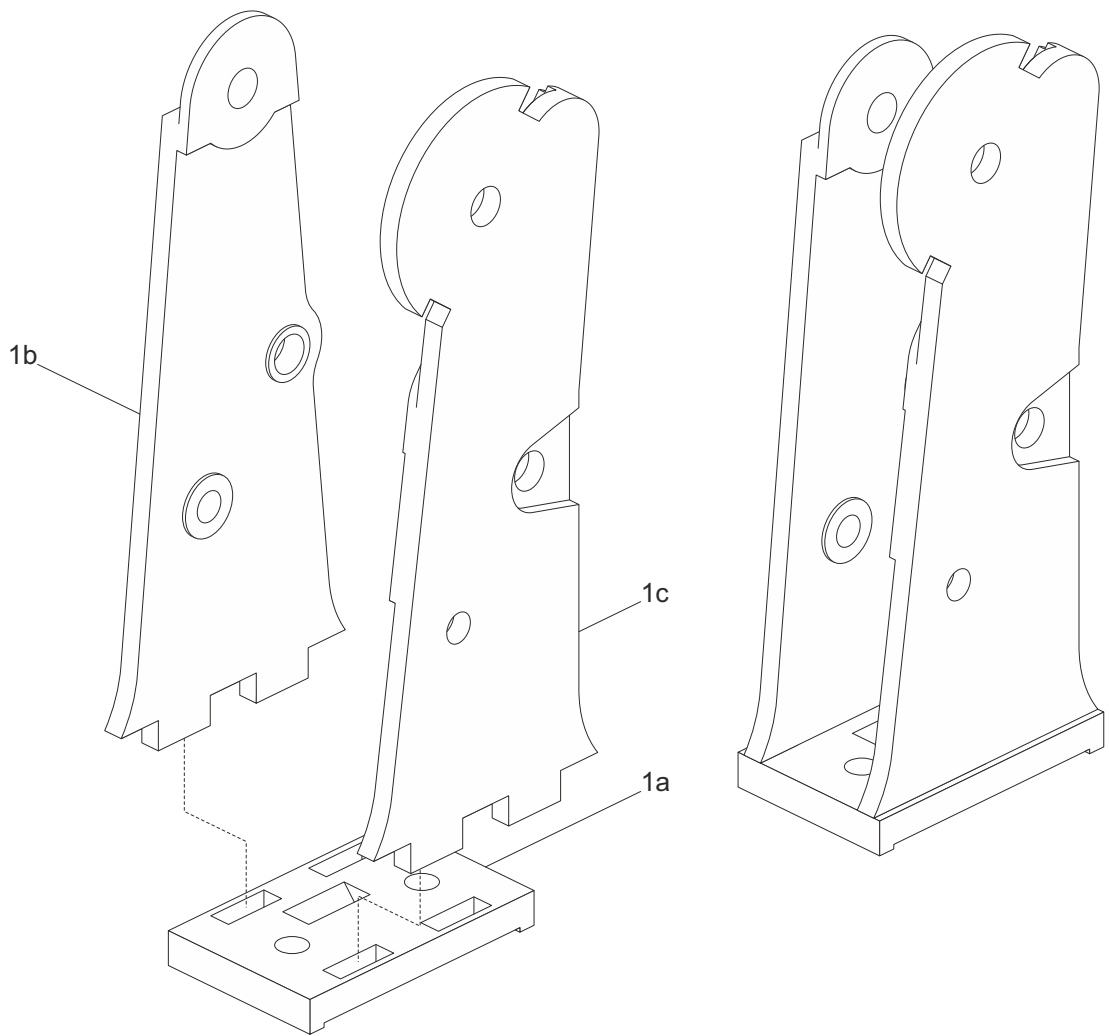


Other required parts



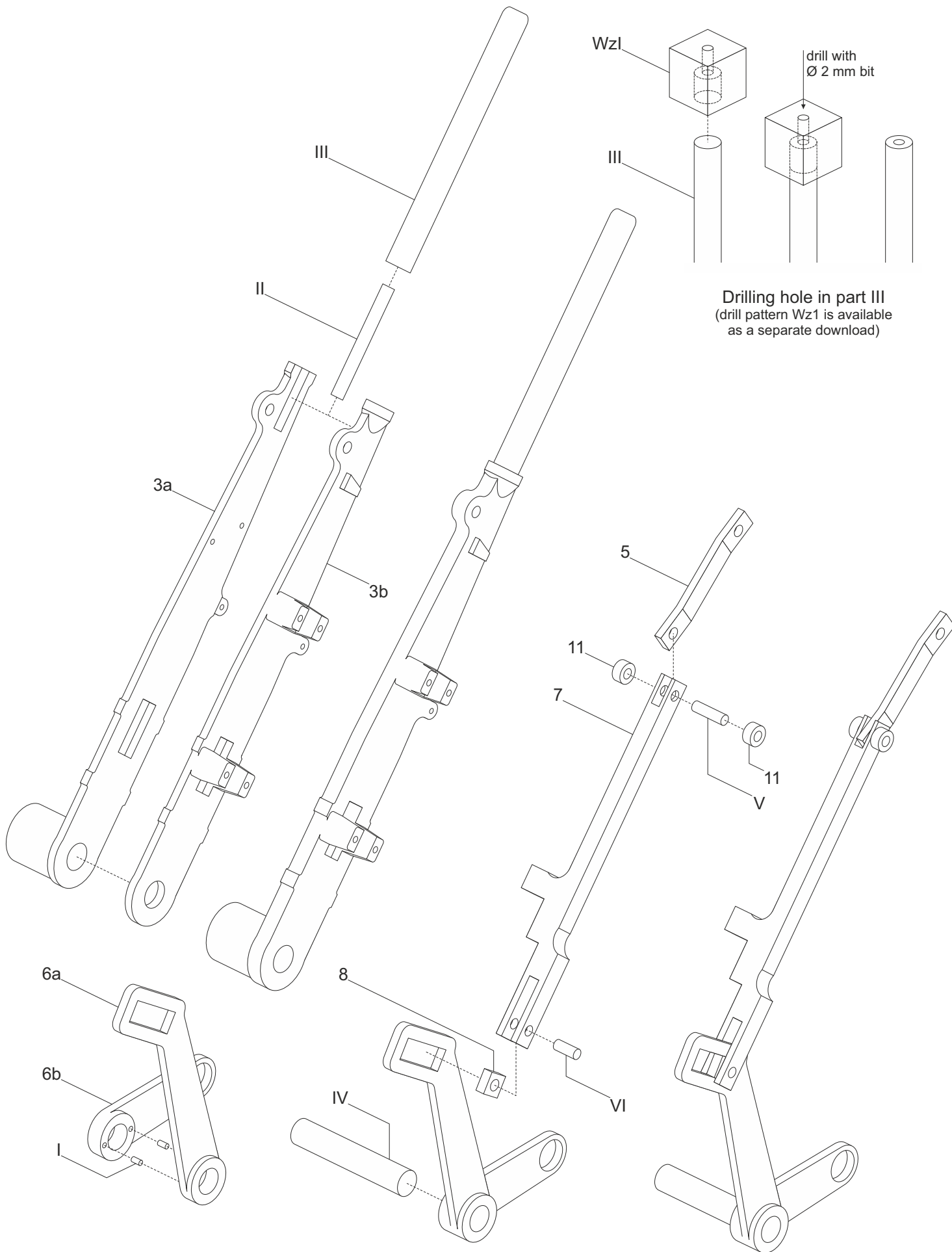
Signal lever, scale 1:5

List of parts



Signal lever, scale 1:5

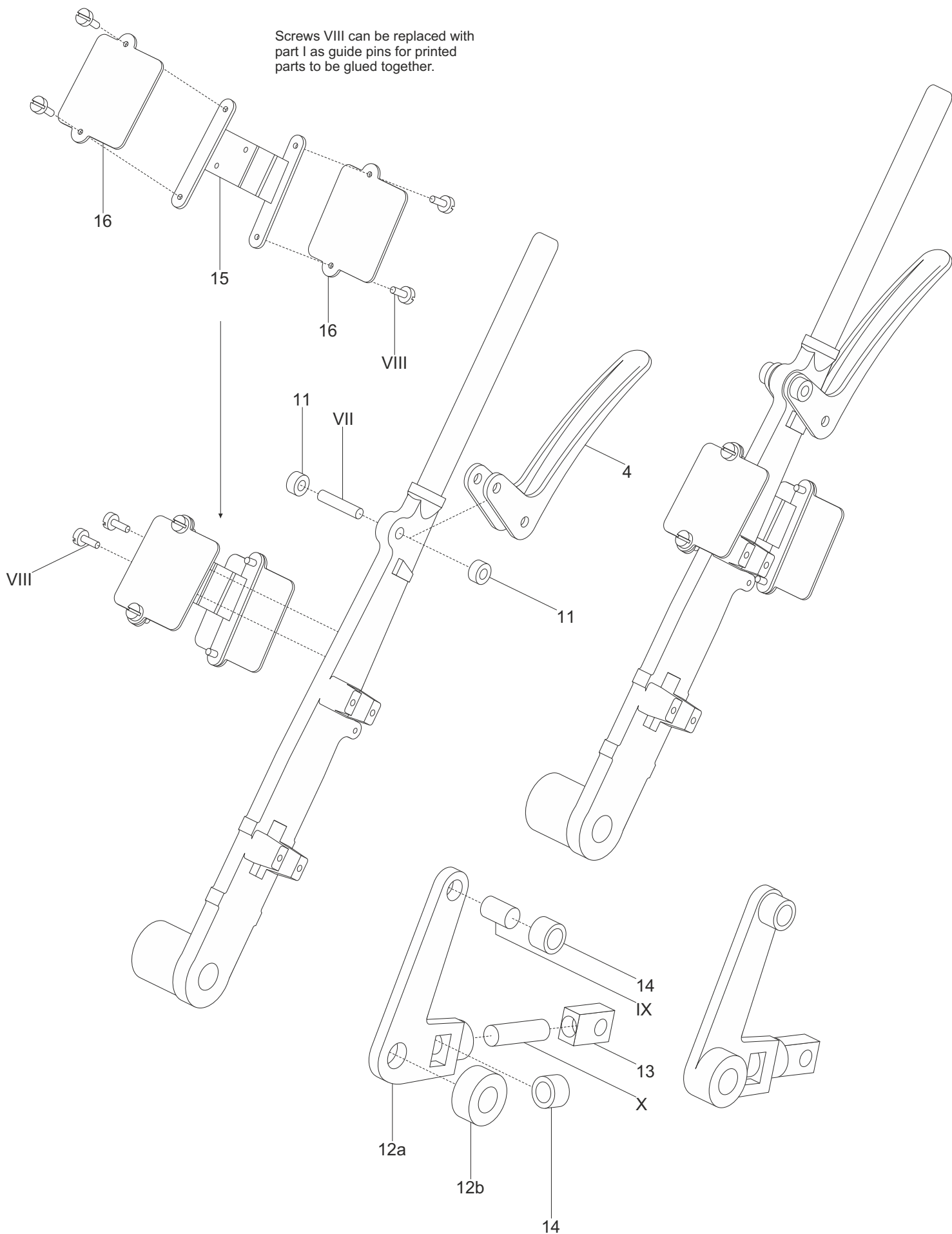
Assembly manual 1/5



Signal lever, scale 1:5

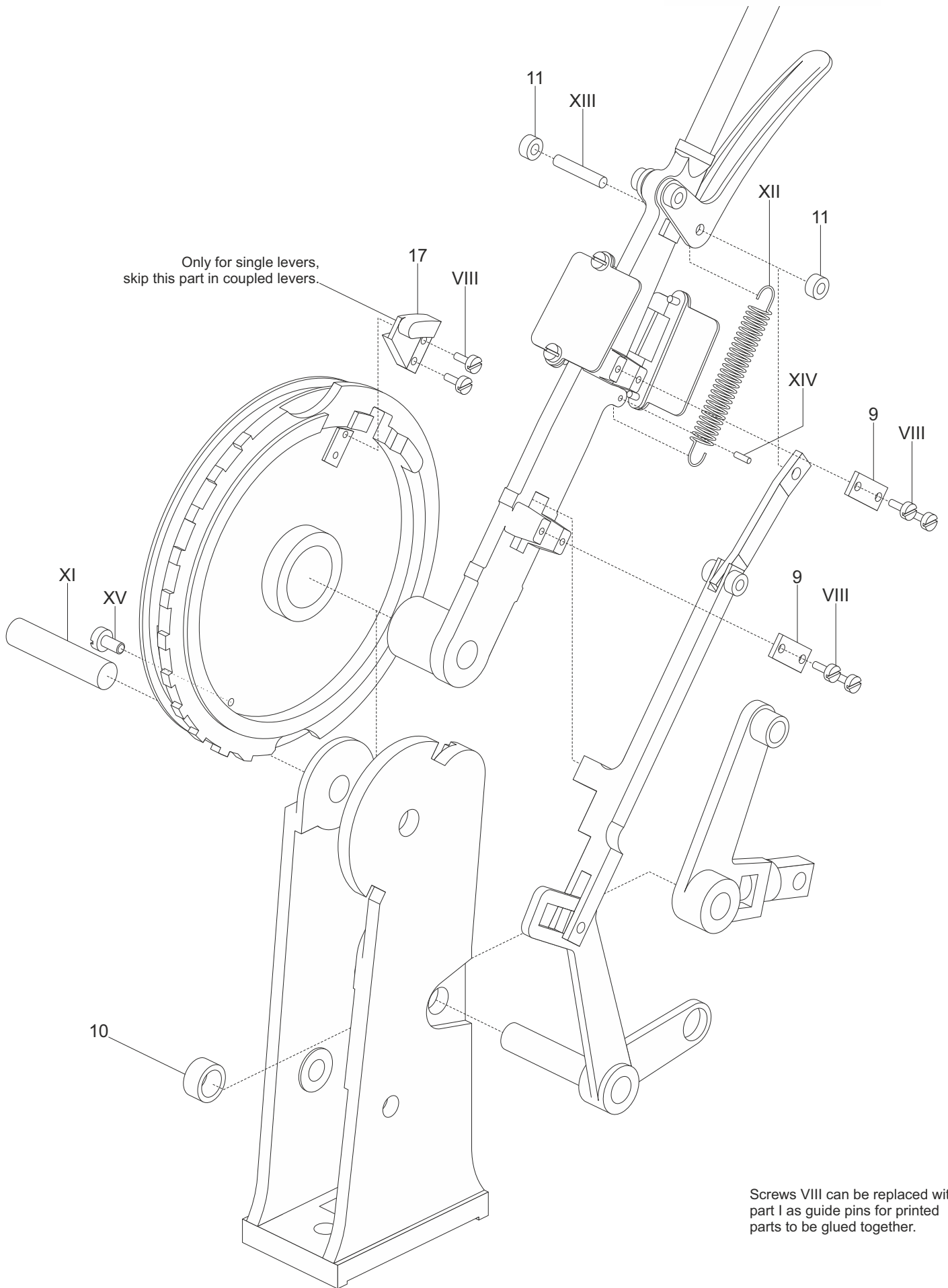
Assembly manual 2/5

Screws VIII can be replaced with part I as guide pins for printed parts to be glued together.



Signal lever, scale 1:5

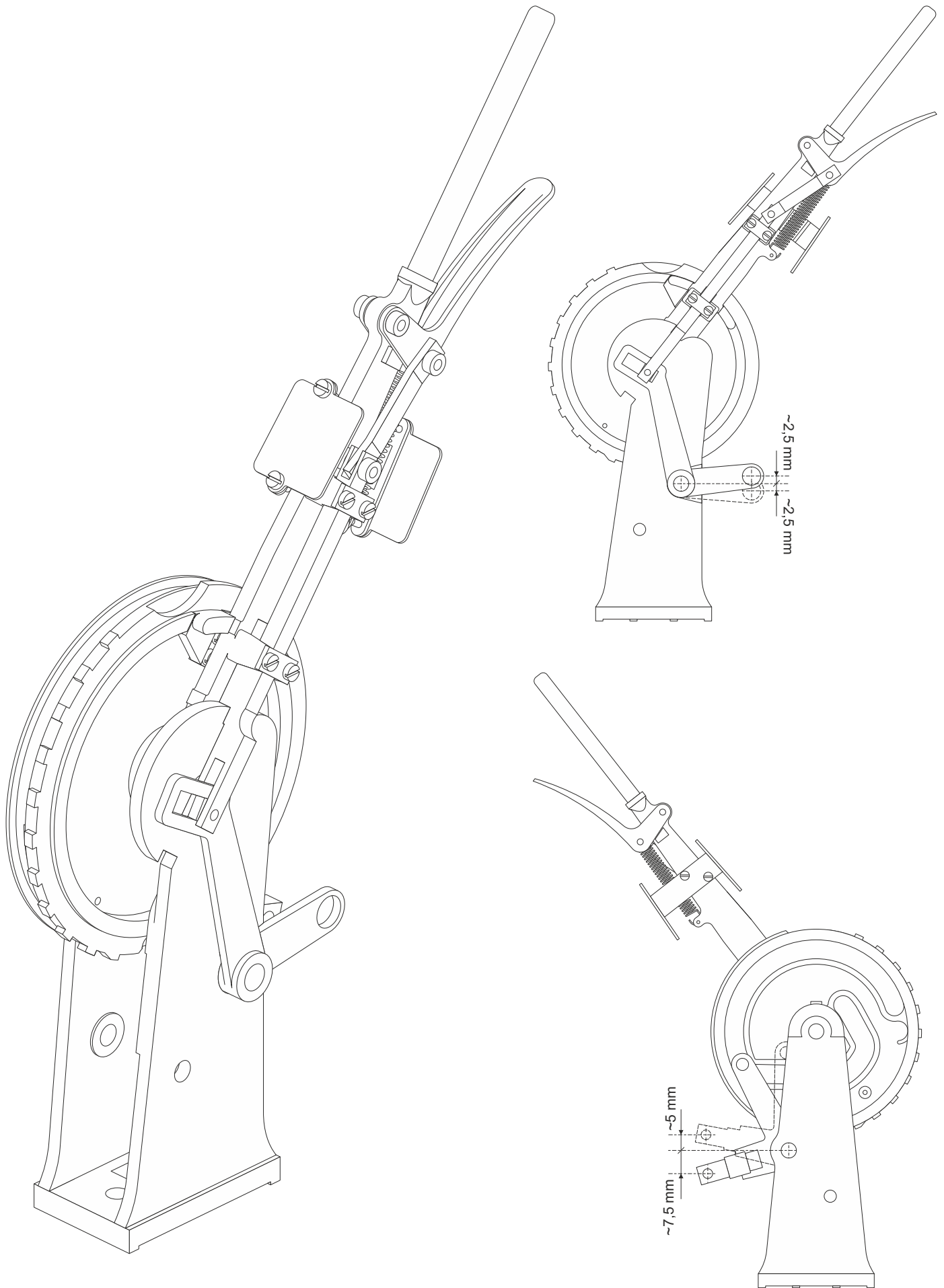
Assembly manual 3/5



Screws VIII can be replaced with part I as guide pins for printed parts to be glued together.

Signal lever, scale 1:5

Assembly manual 4/5



Signal lever, scale 1:5

Assembly manual 5/5