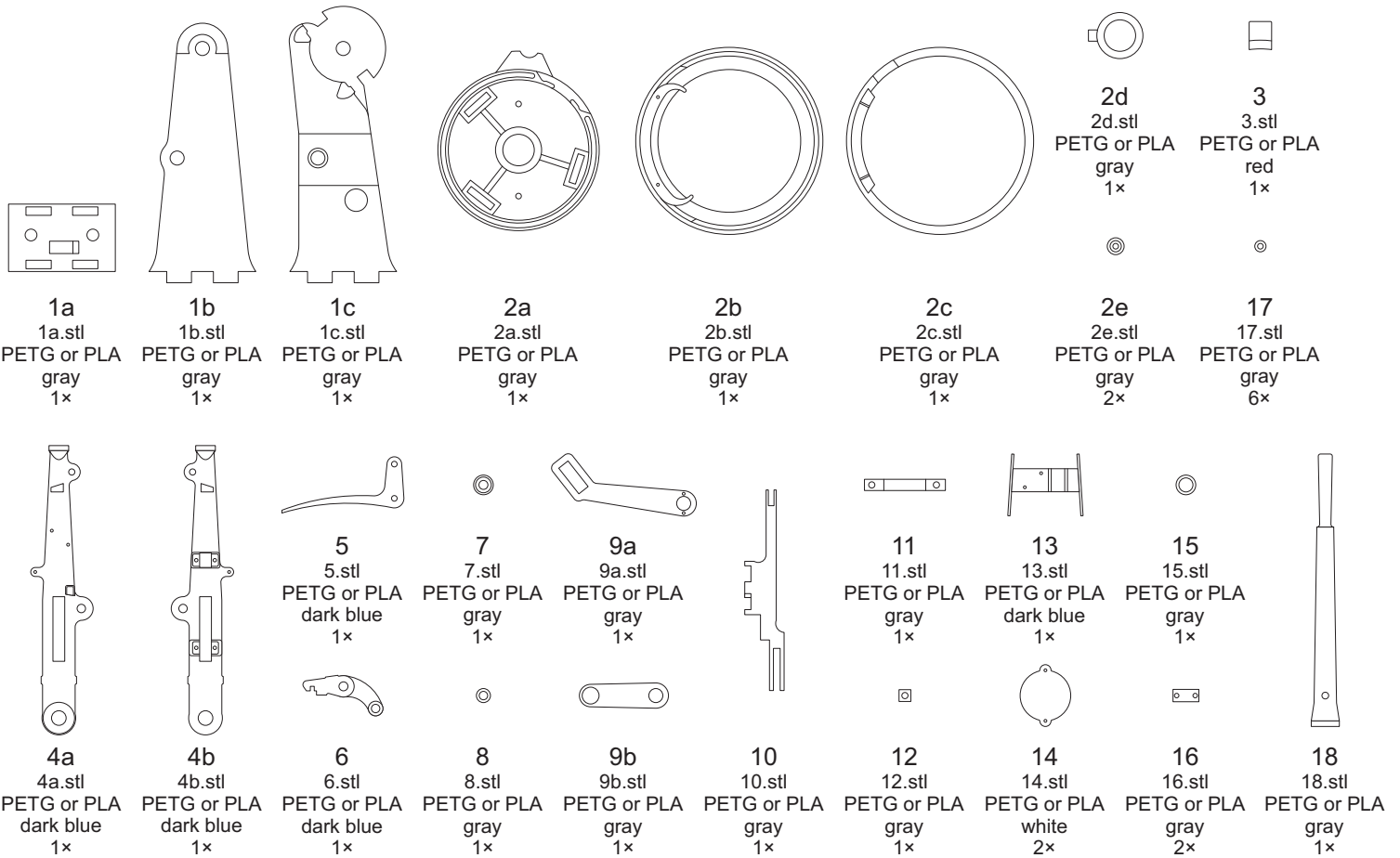
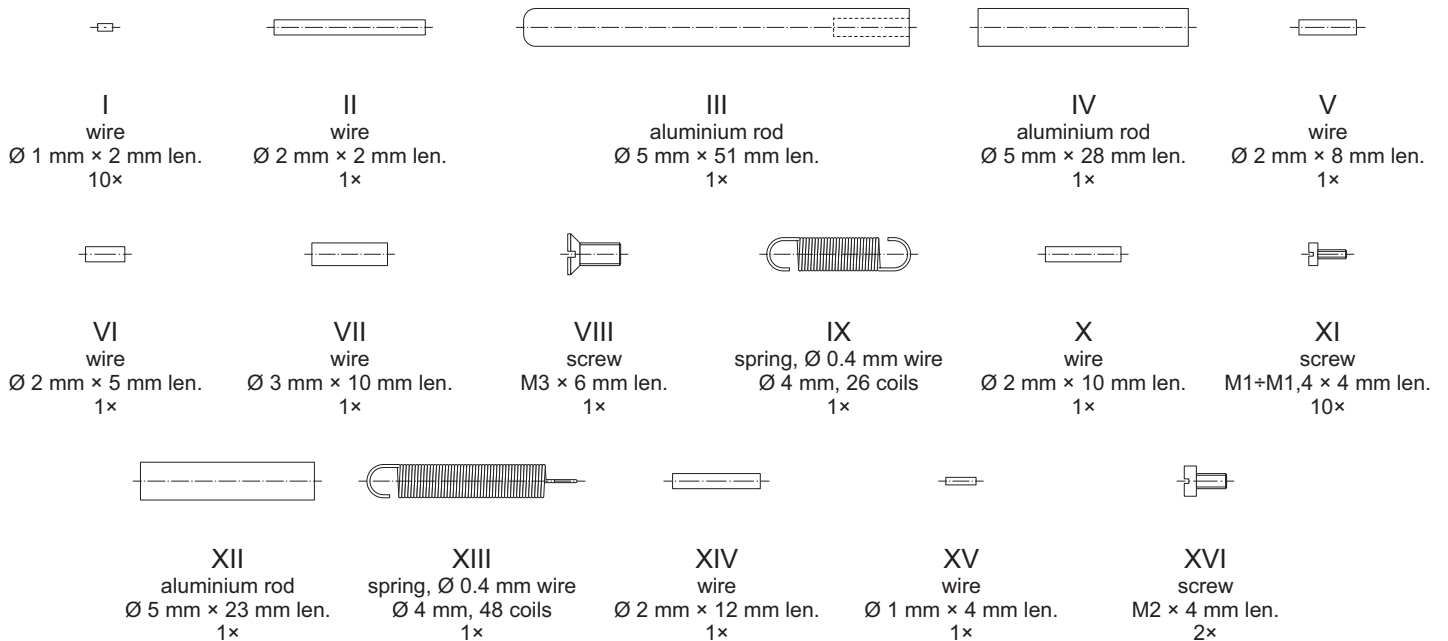


Parts for 3D printing



Other required parts

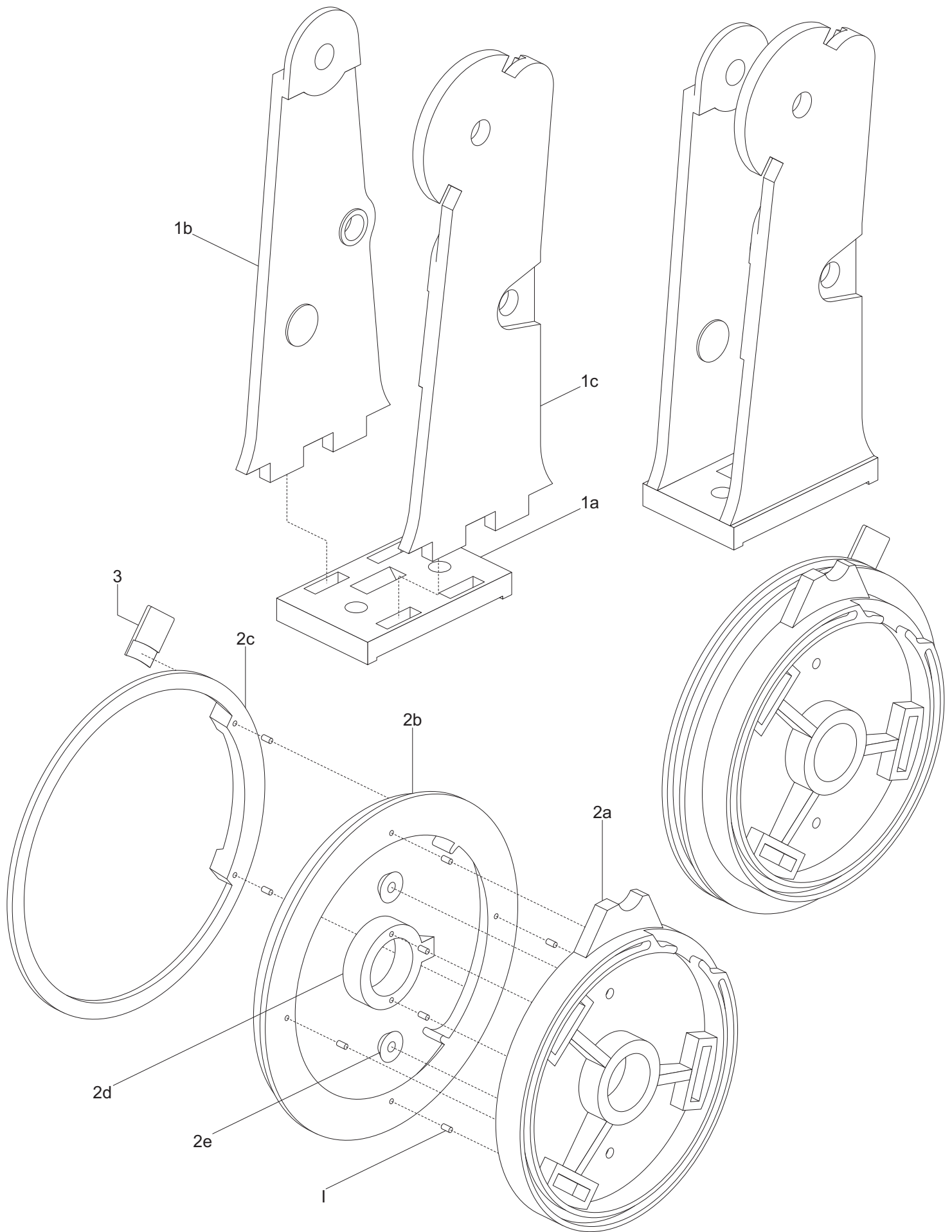


Points lever, scale 1:5

List of parts

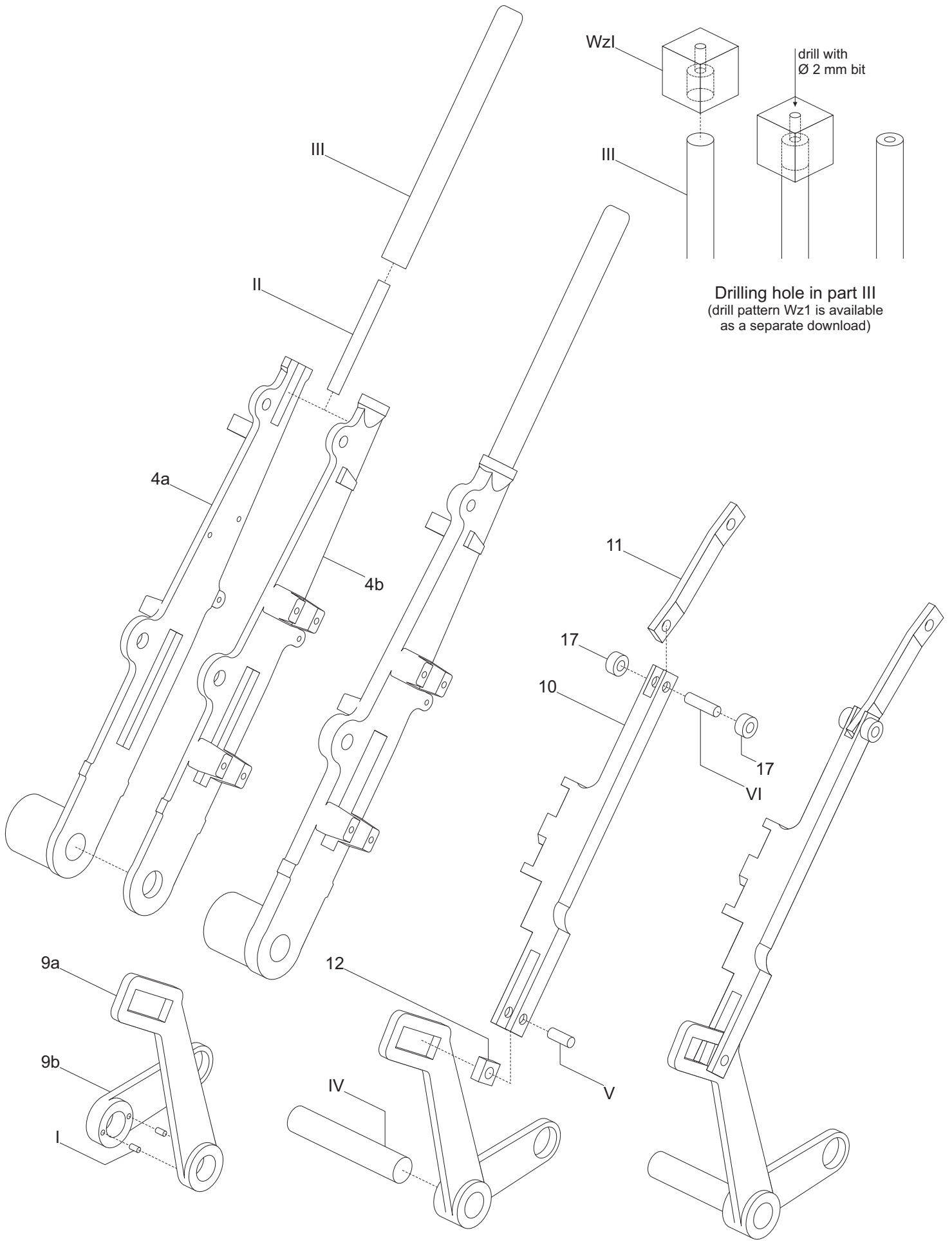
Author: Paweł Adamowicz (<http://pkprepo.net/>), 2023, selected rights reserved





Points lever, scale 1:5

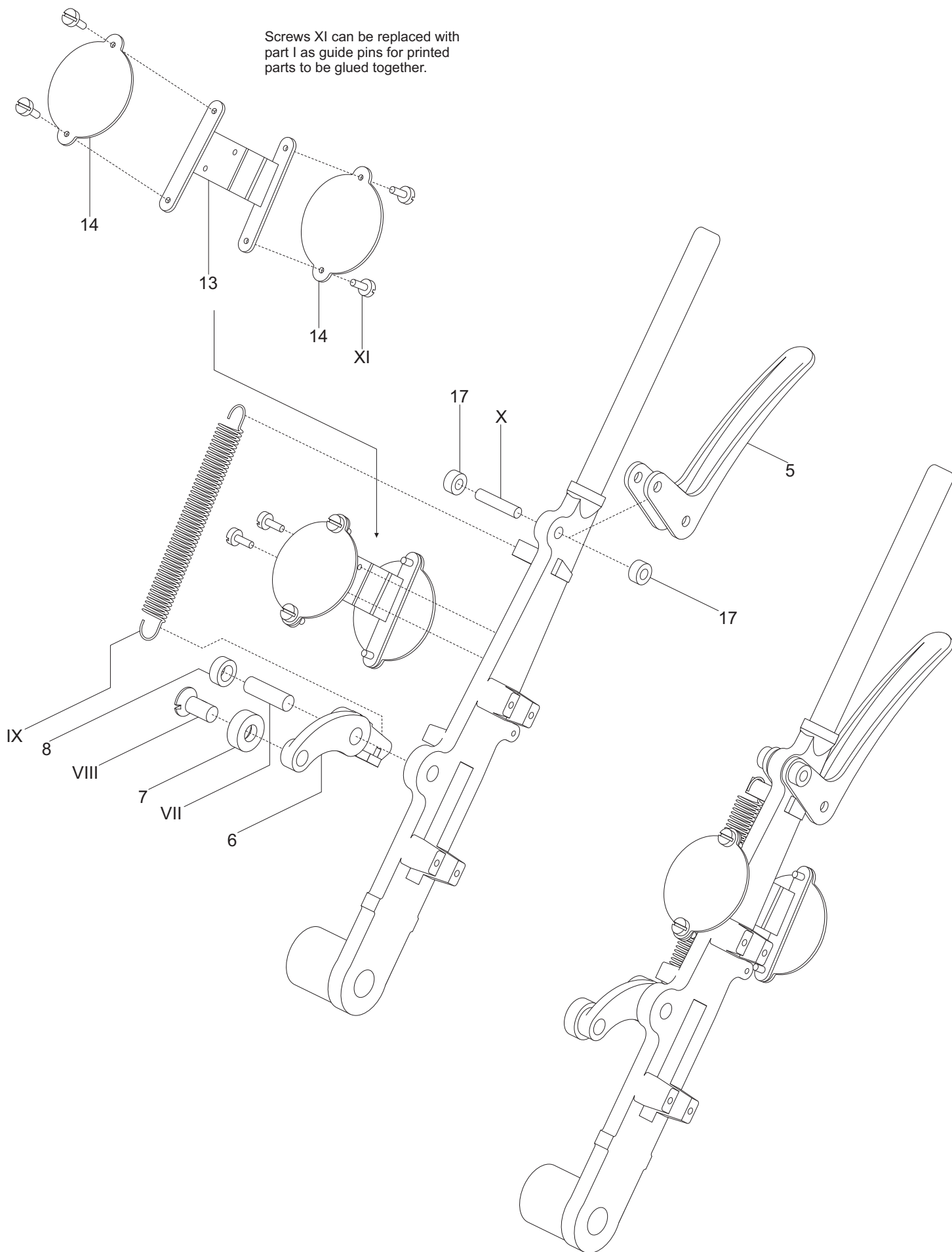
Assembly manual 1/5



Points lever, scale 1:5

Assembly manual 2/5

Screws XI can be replaced with part I as guide pins for printed parts to be glued together.

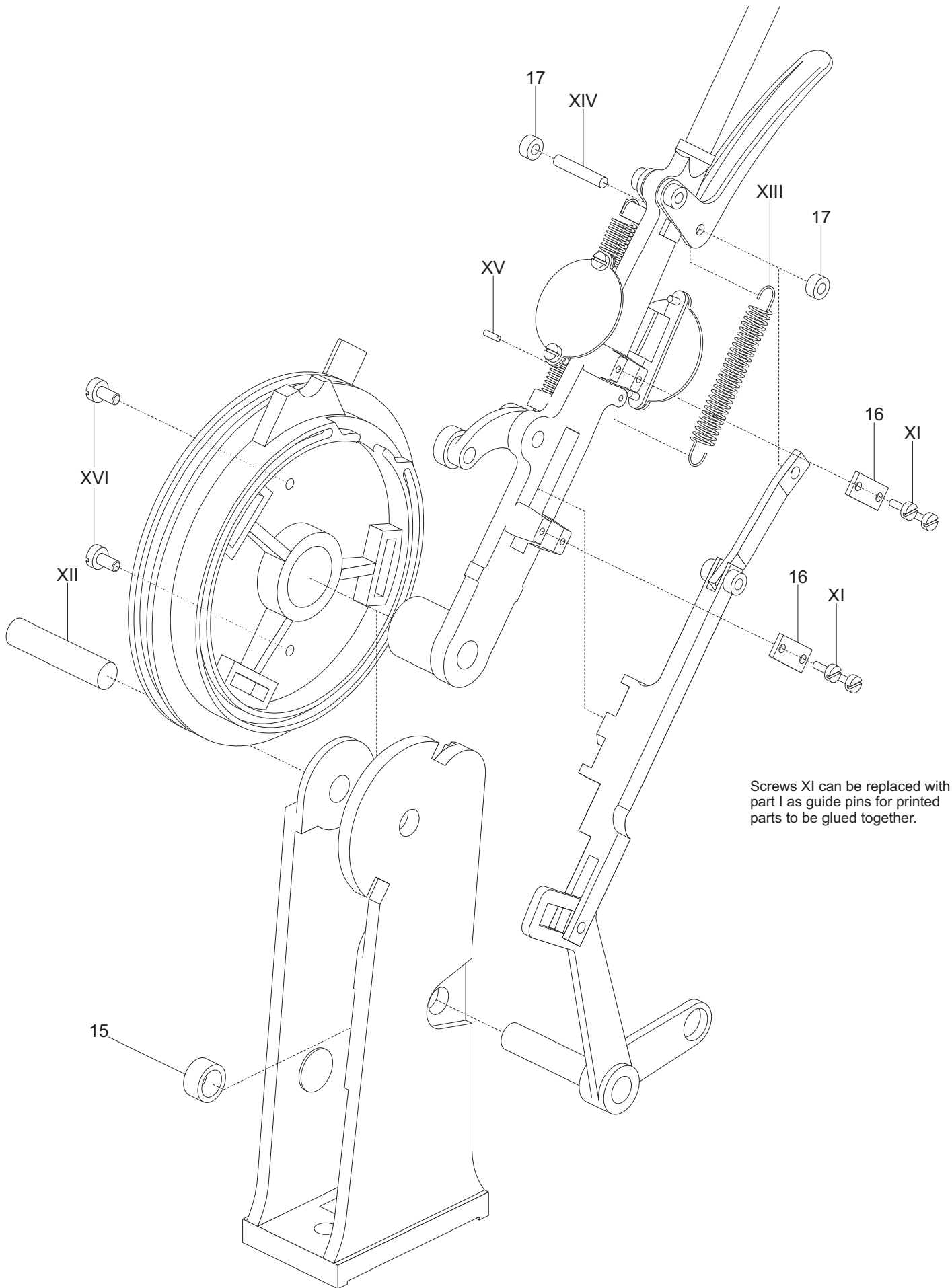


Points lever, scale 1:5

Assembly manual 3/5

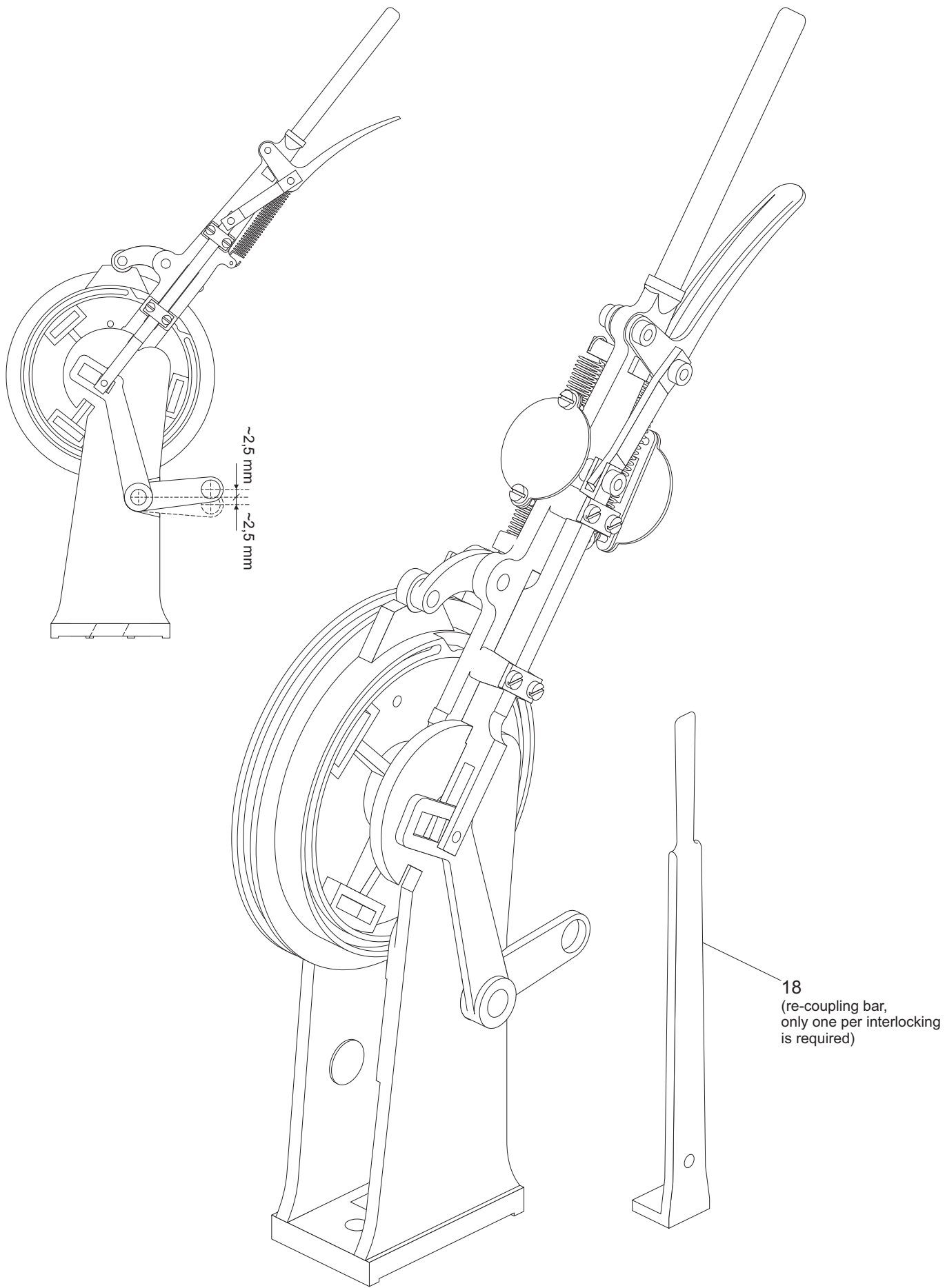
Author: Paweł Adamowicz (<http://pkprepo.net/>), 2023, selected rights reserved





Points lever, scale 1:5

Assembly manual 4/5



Points lever, scale 1:5

Assembly manual 5/5