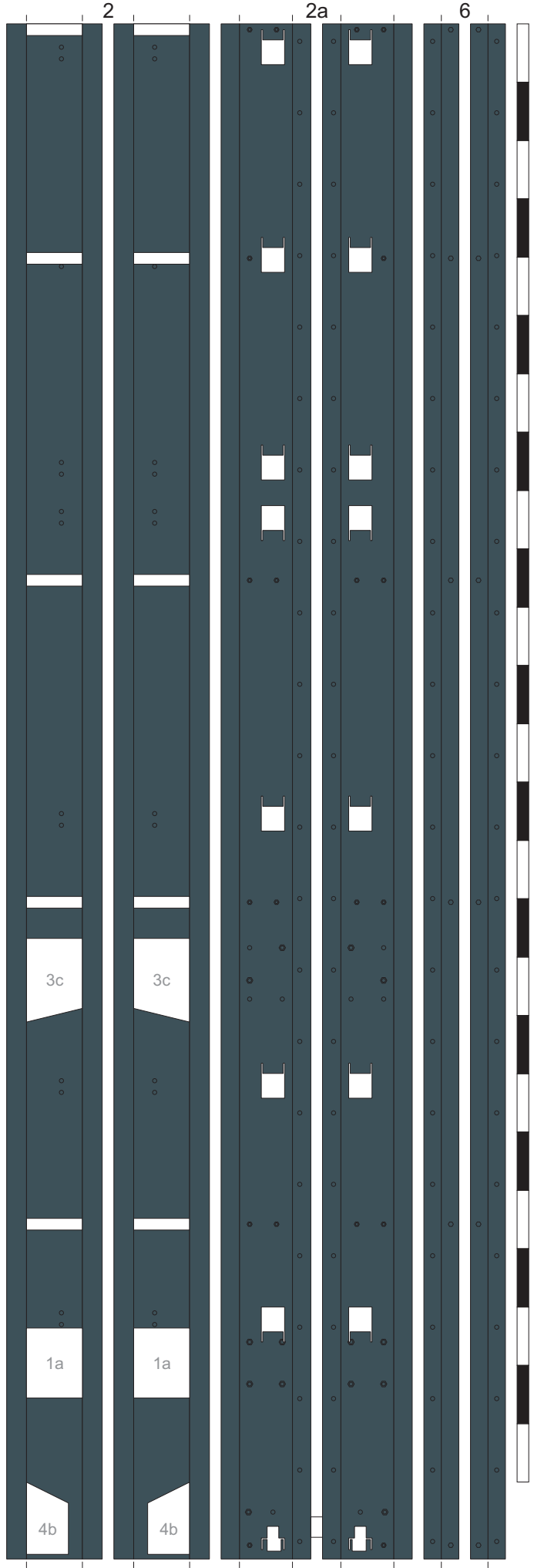
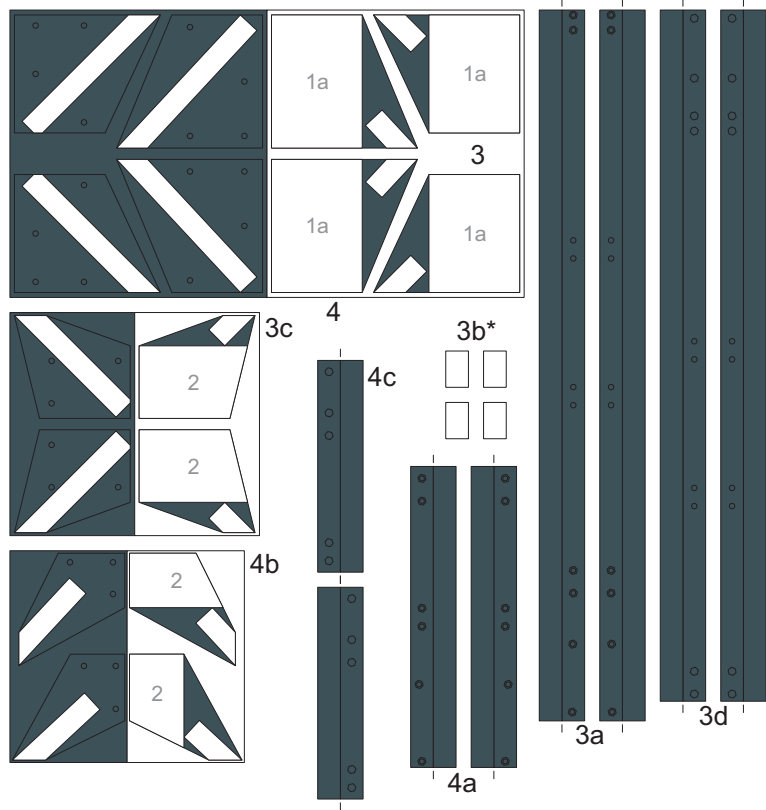
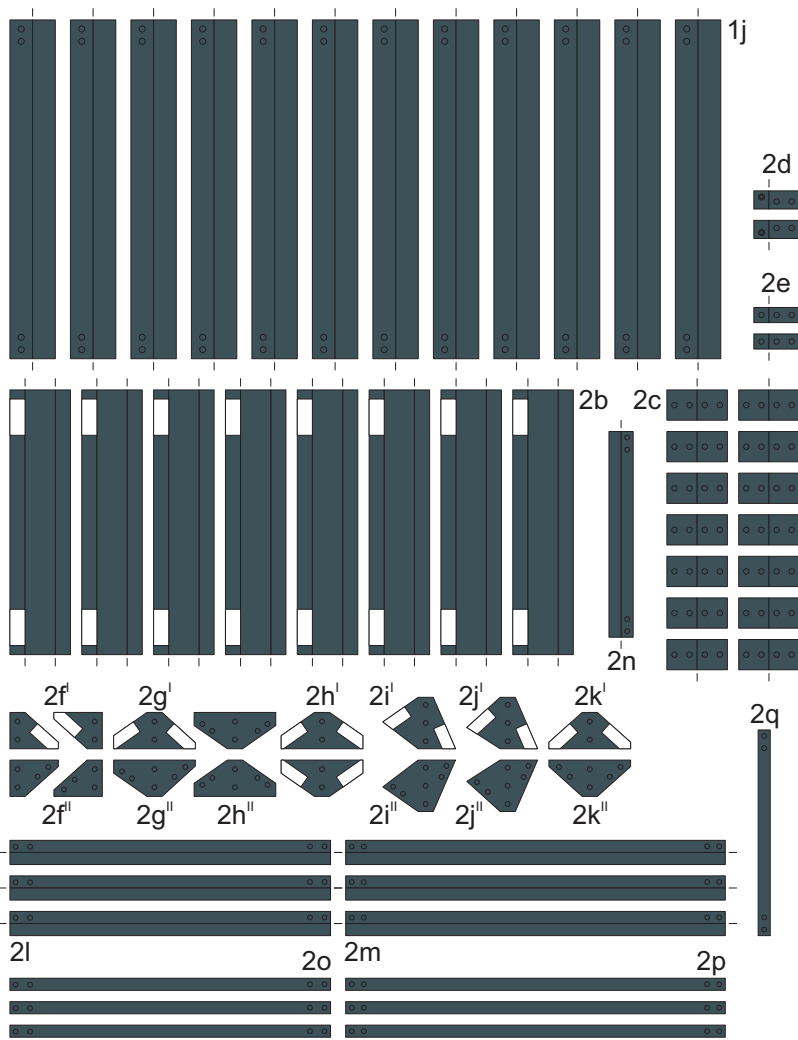
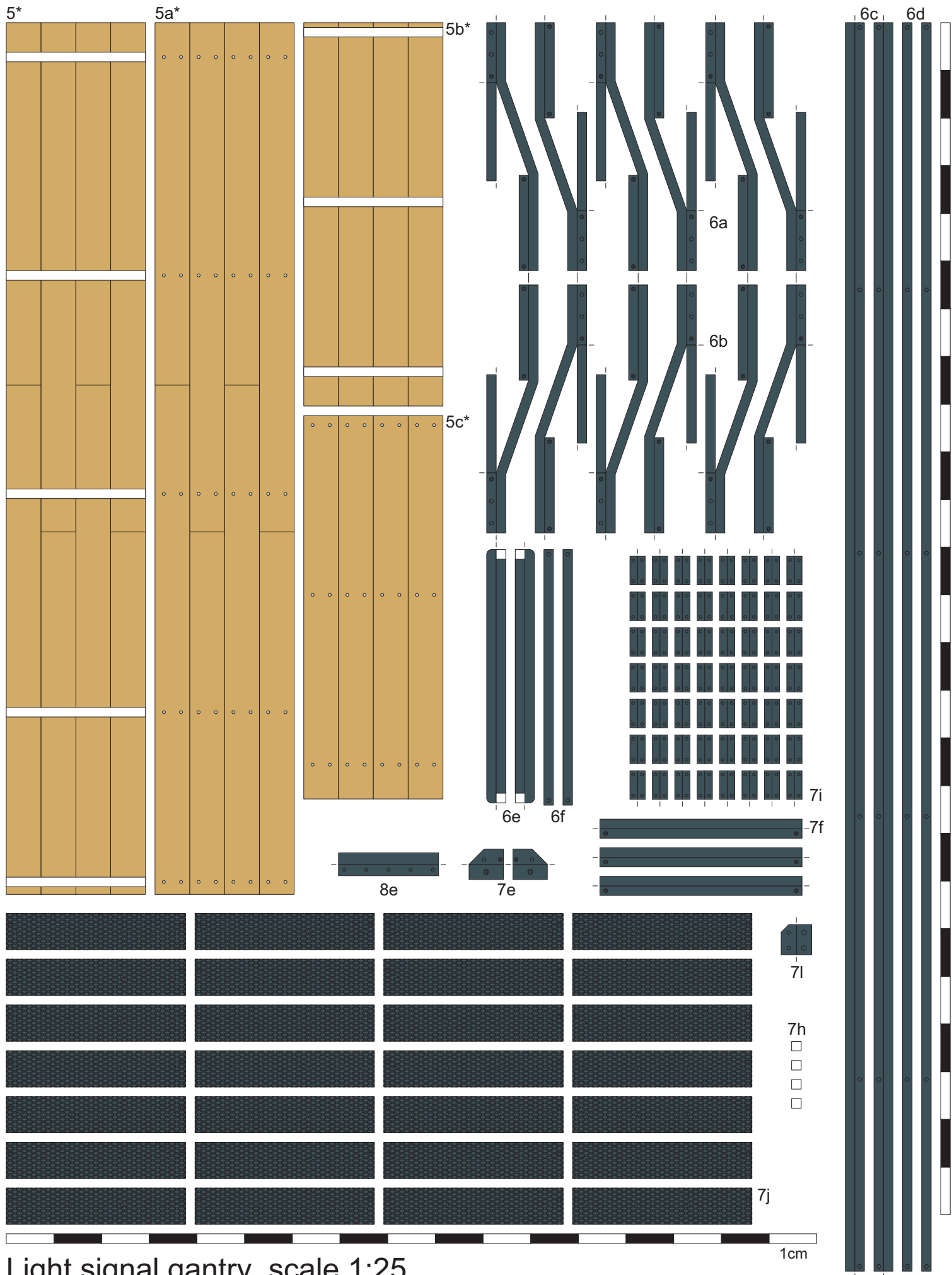


Light signal gantry, scale 1:25

1cm



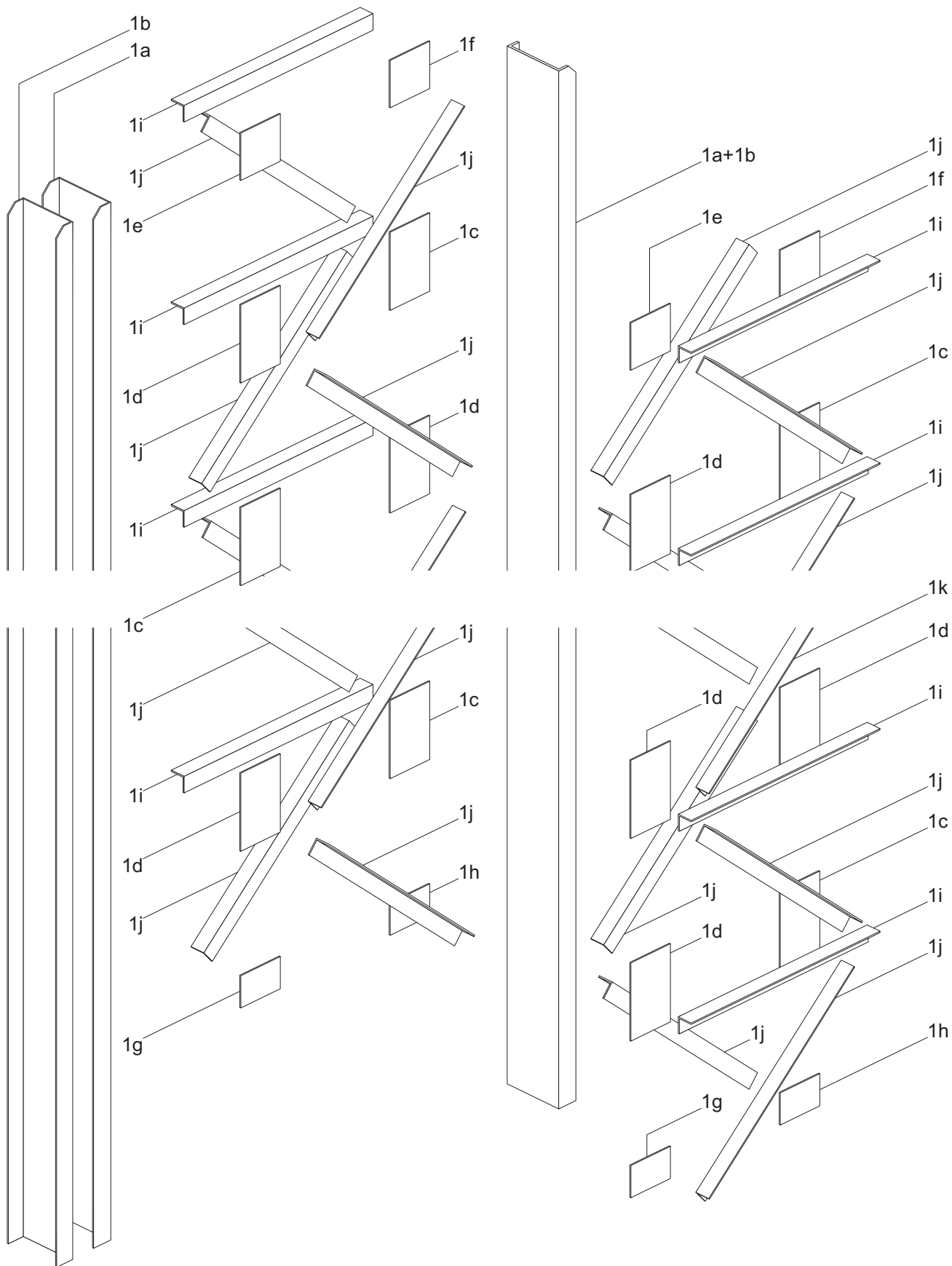
Light signal gantry, scale 1:25



Light signal gantry, scale 1:25

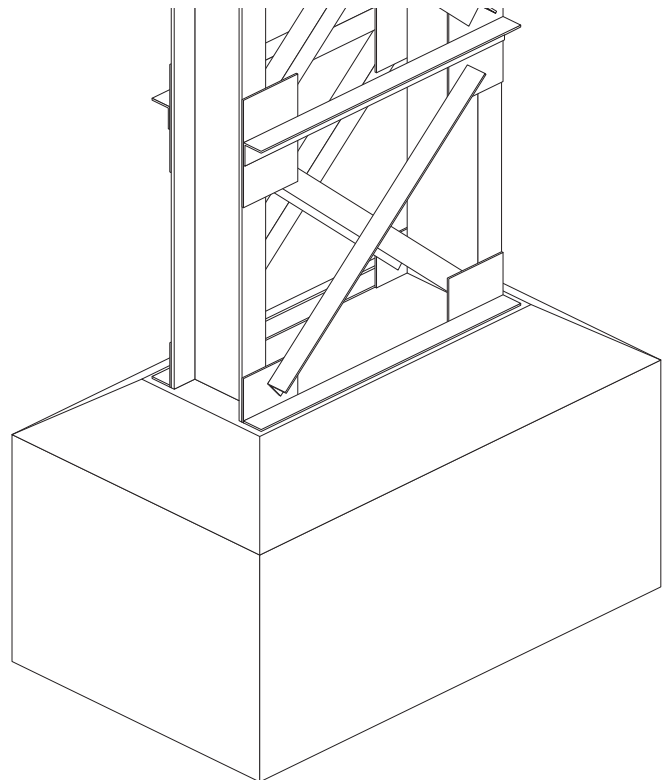
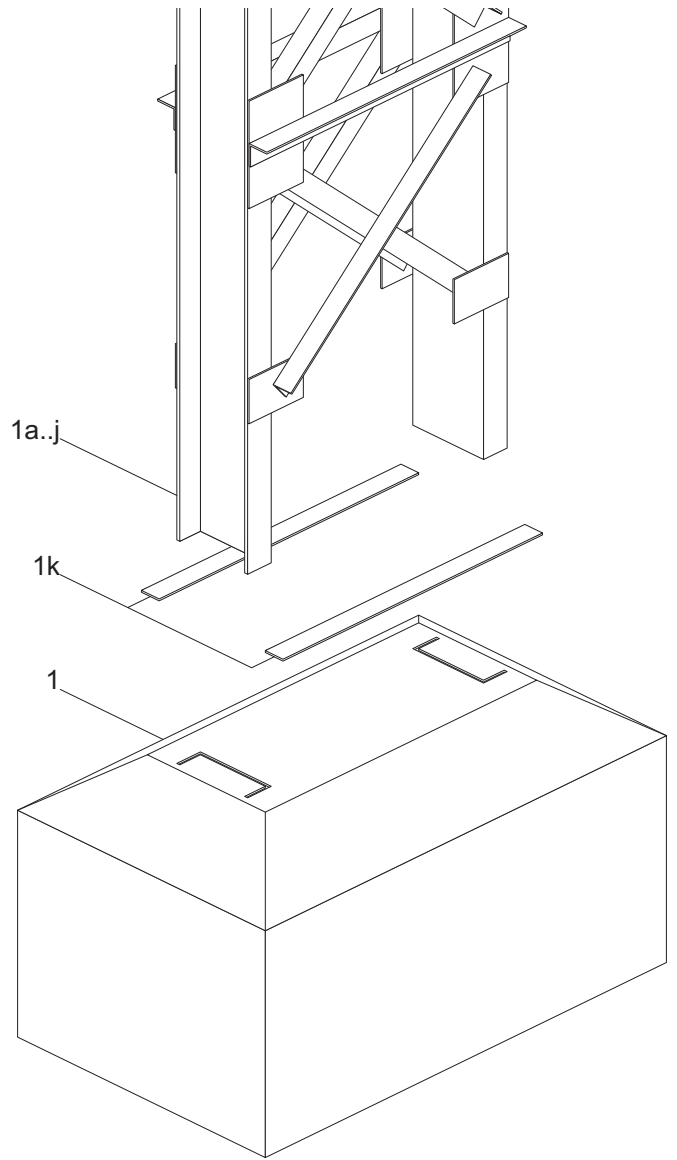
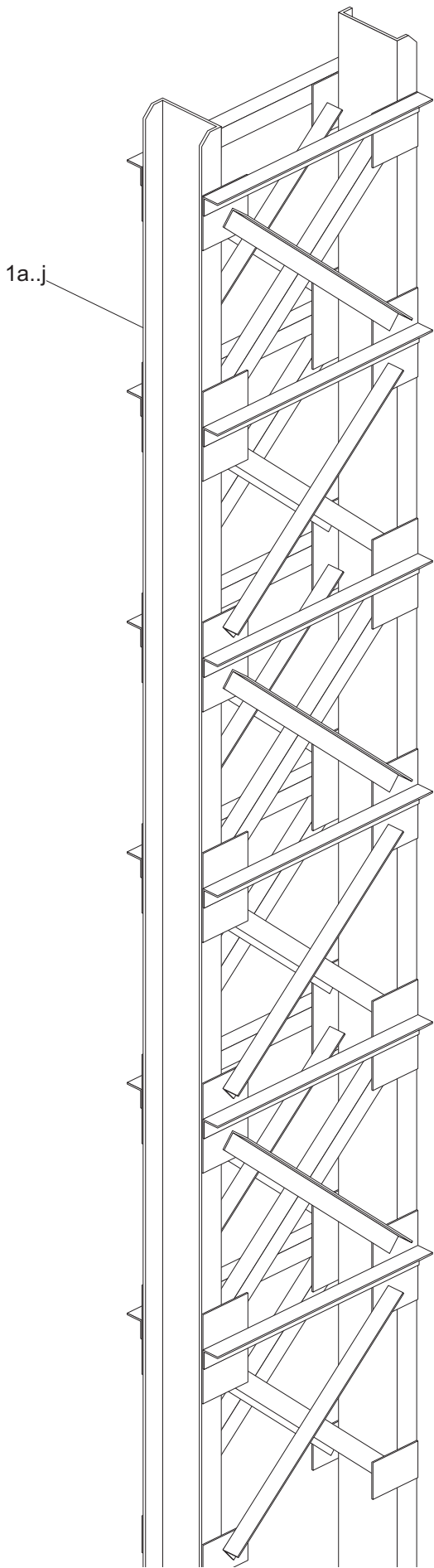


Light signal gantry, scale 1:25



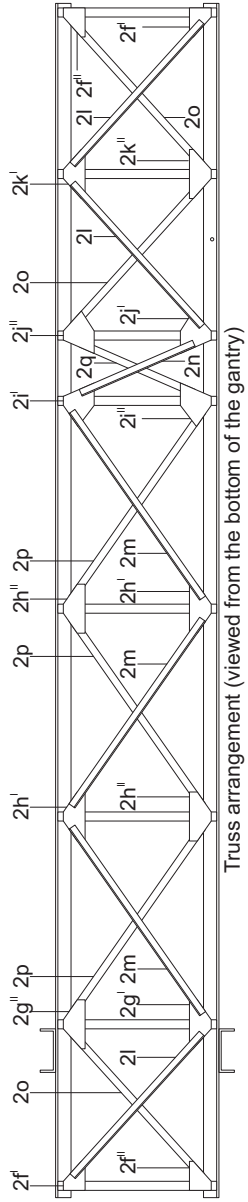
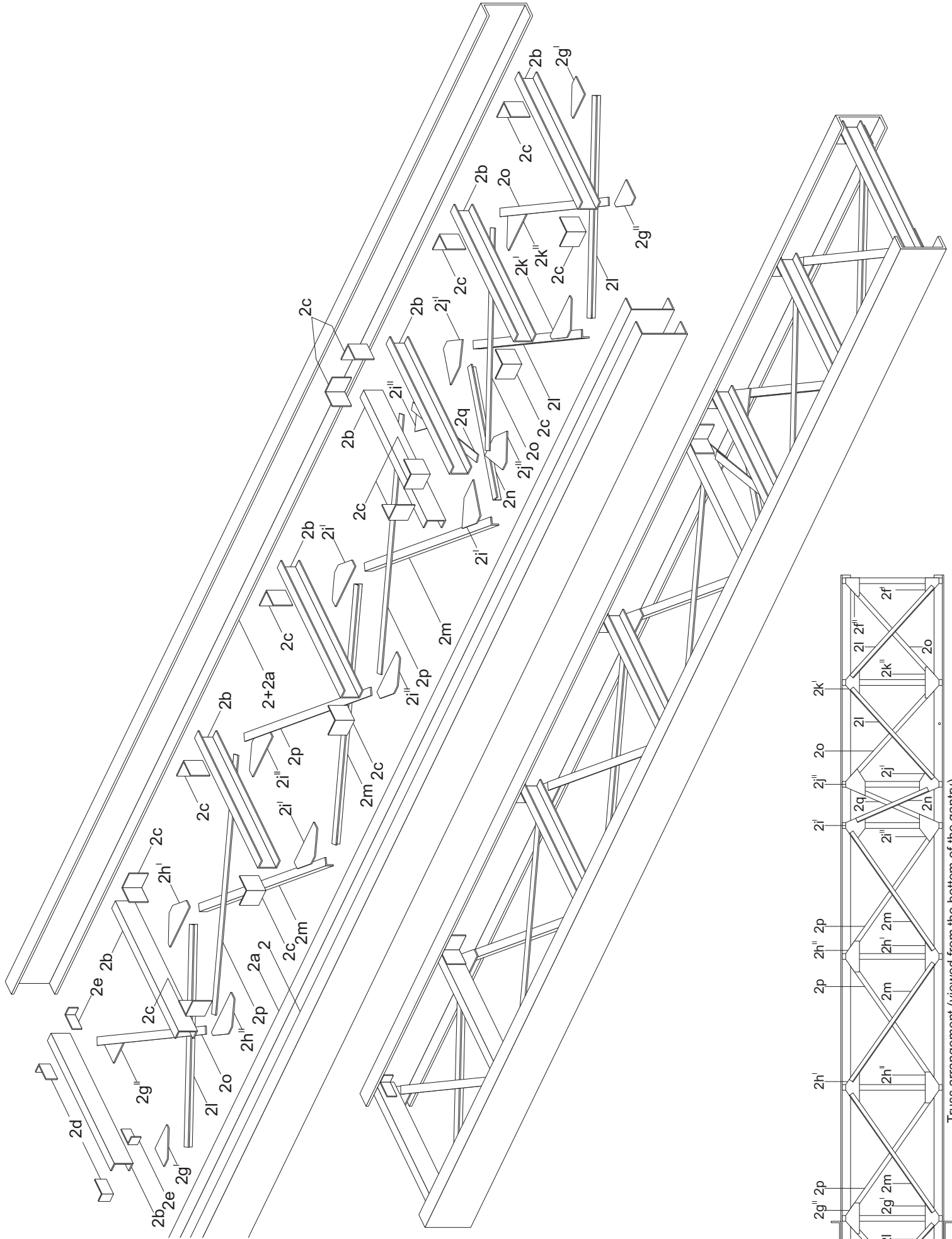
Light signal gantry, scale 1:25

Assembly manual 1/8



Light signal gantry, scale 1:25

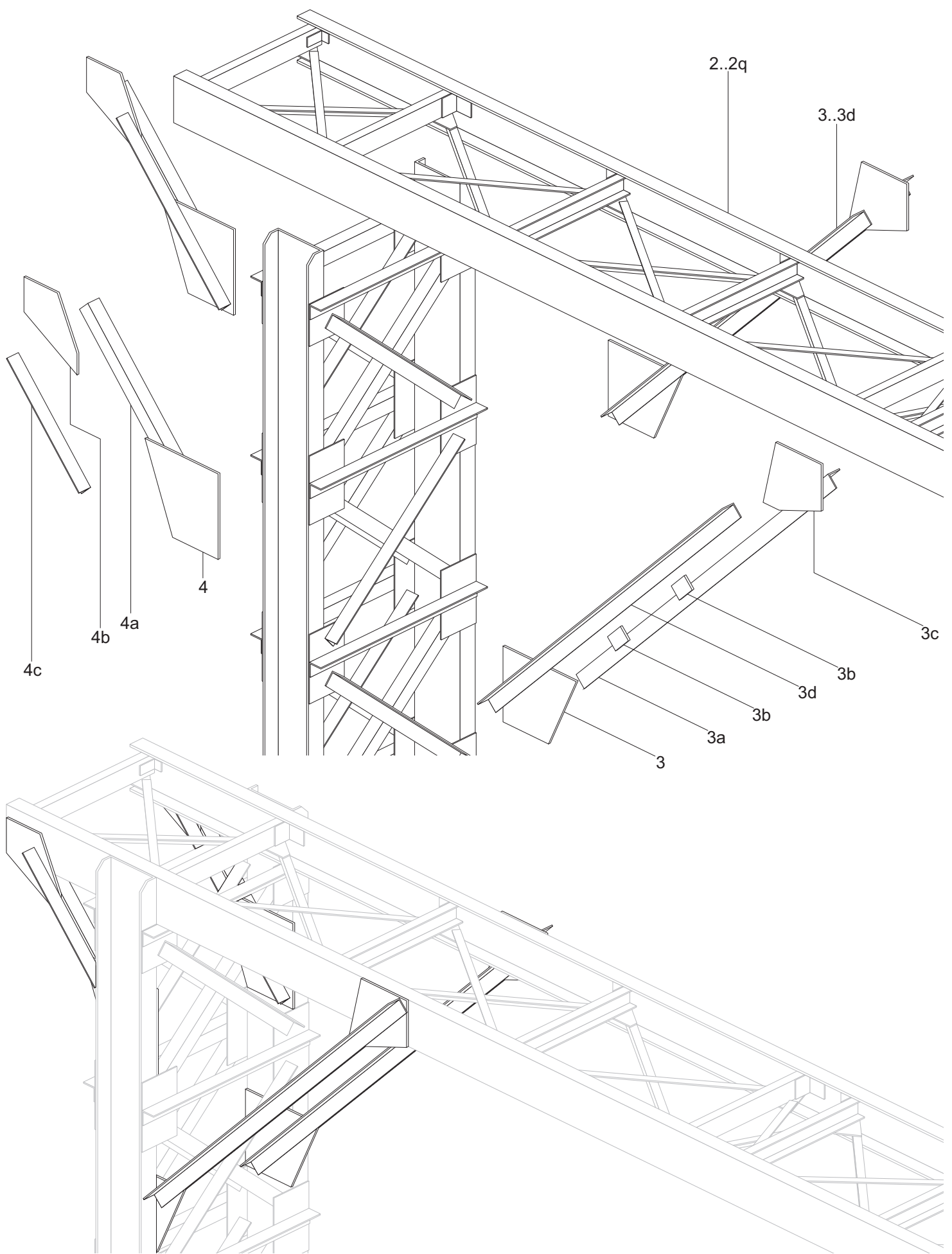
Assembly manual 2/8



Truss arrangement (viewed from the bottom of the gantry)

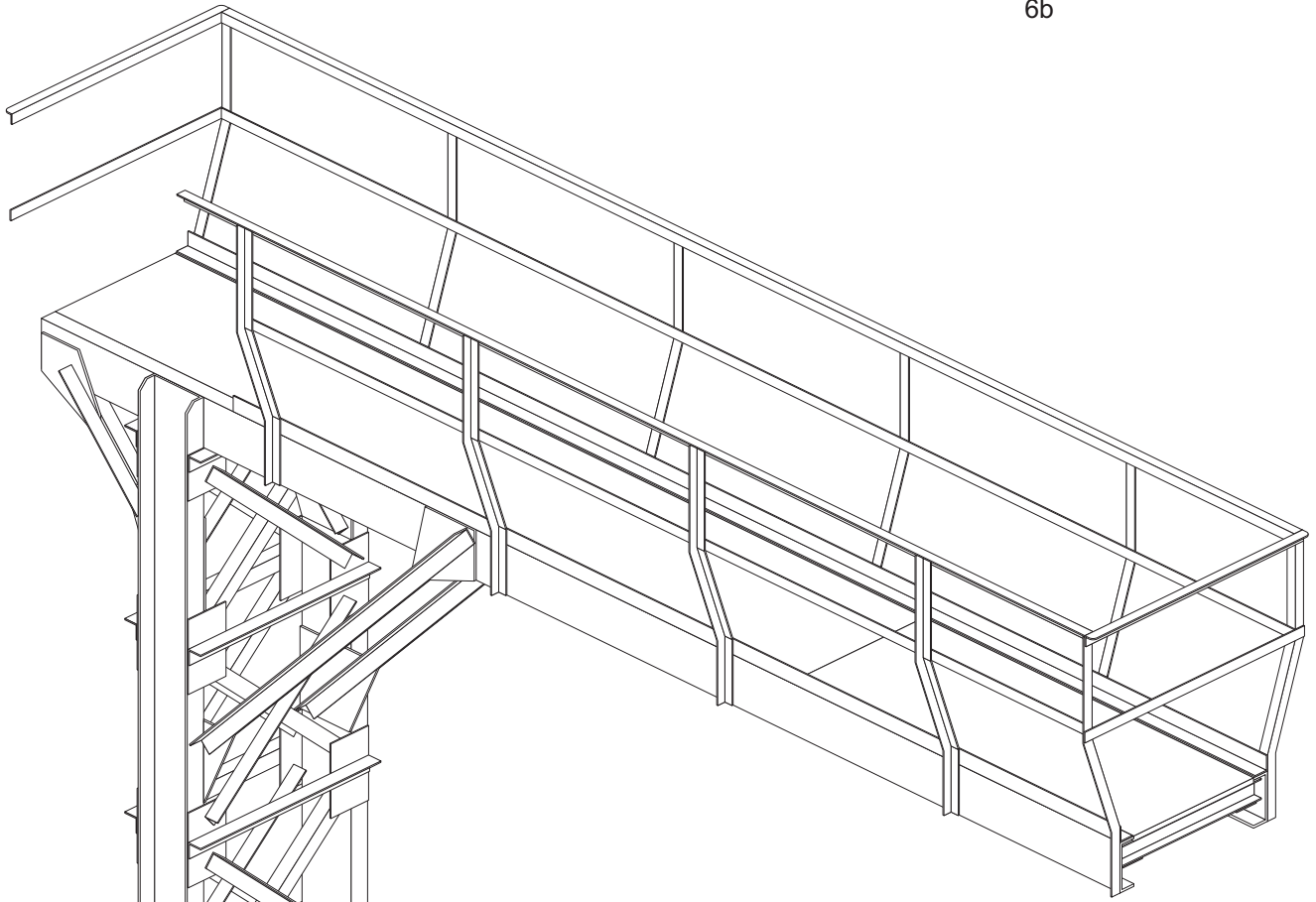
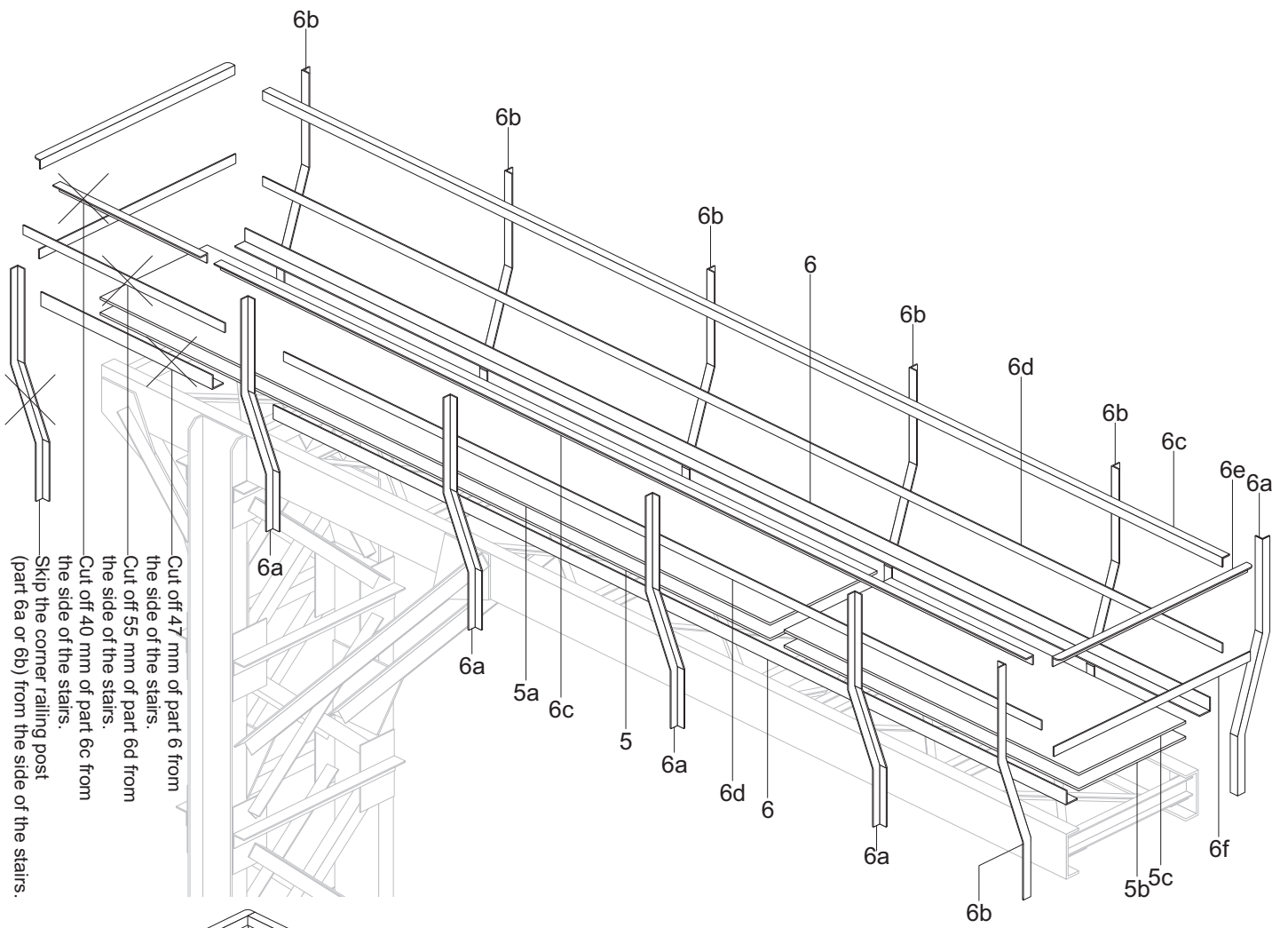
Light signal gantry, scale 1:25

Assembly manual 3/8



Light signal gantry, scale 1:25

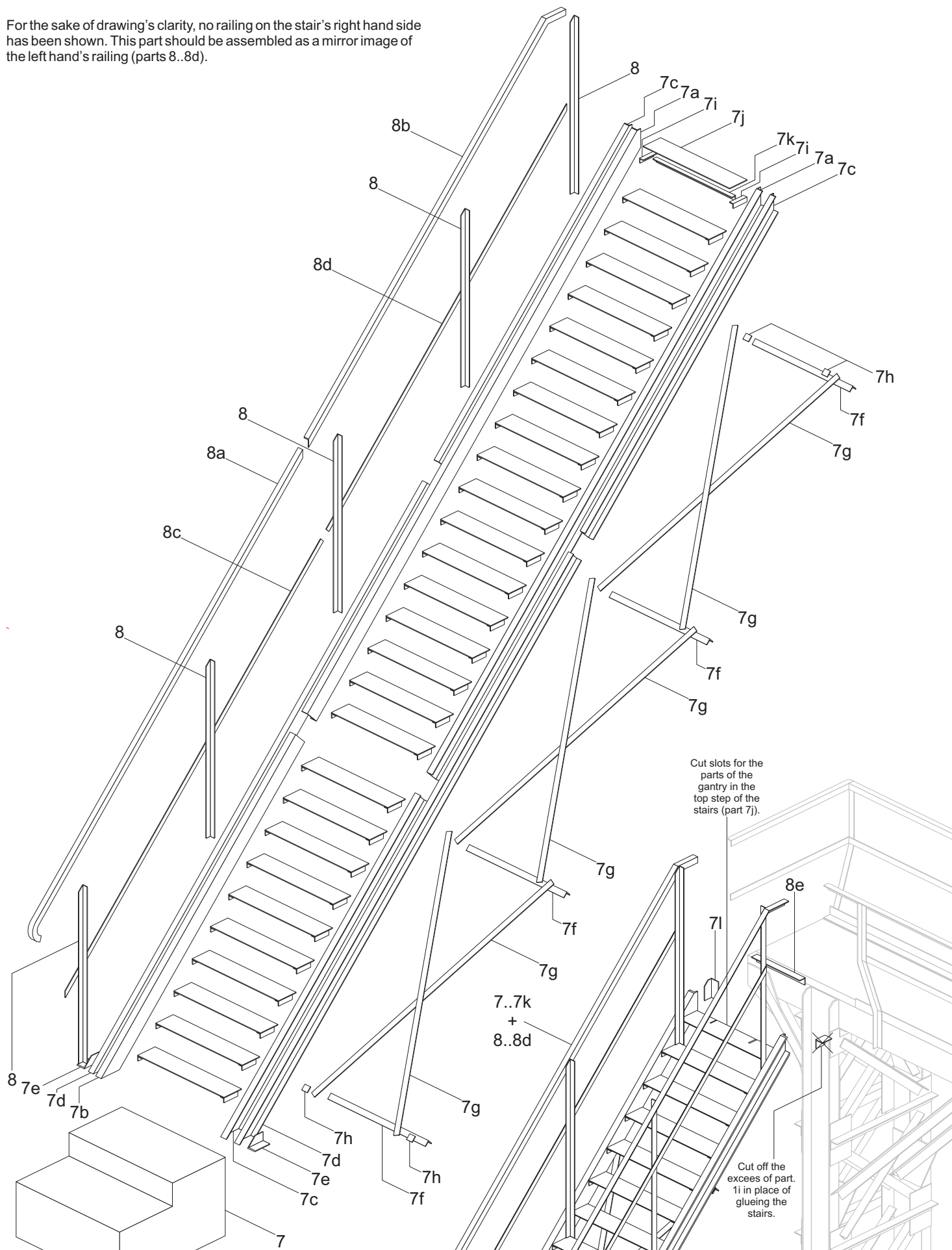
Assembly manual 4/8



Light signal gantry, scale 1:25

Assembly manual 5/8

For the sake of drawing's clarity, no railing on the stair's right hand side has been shown. This part should be assembled as a mirror image of the left hand's railing (parts 8..8d).

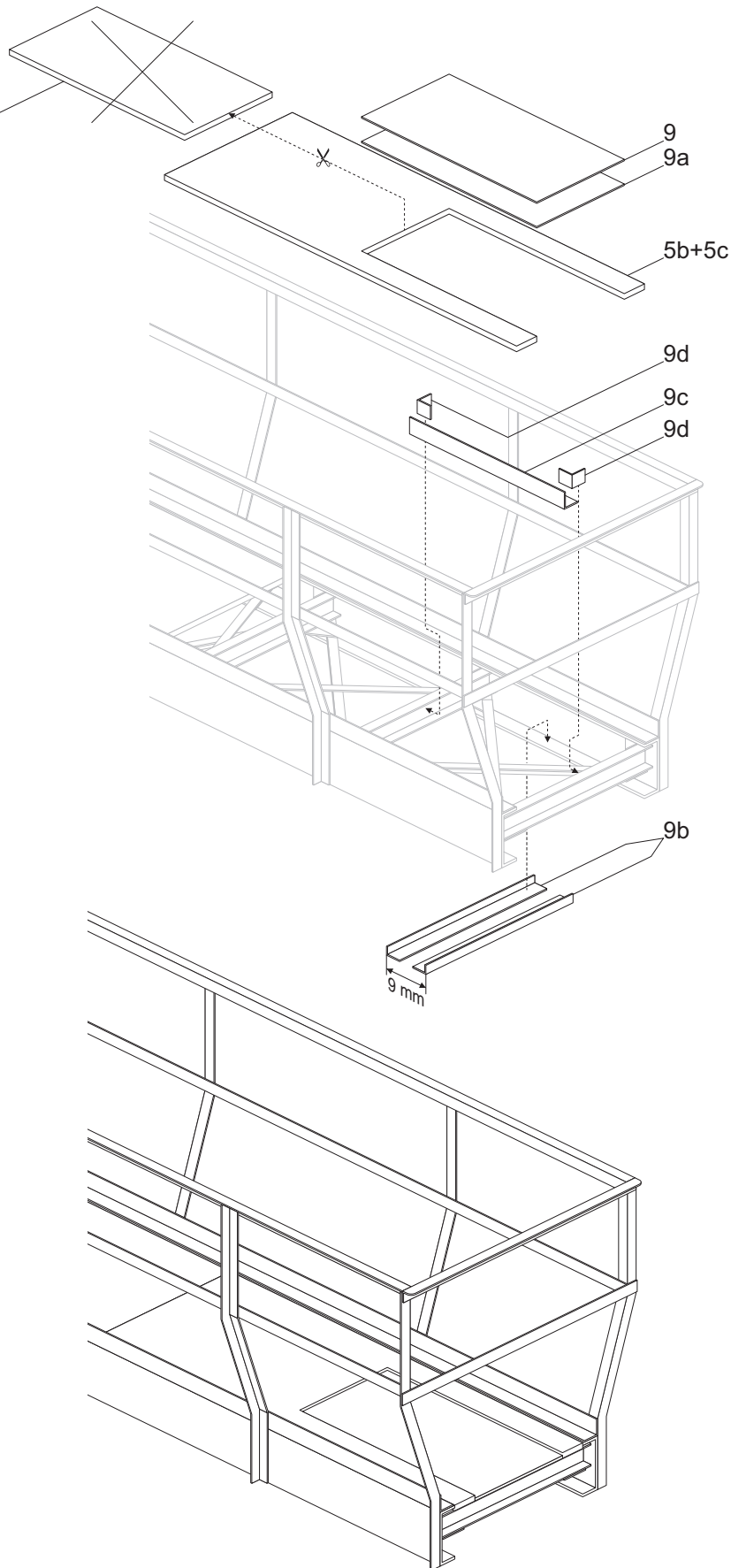


Light signal gantry, scale 1:25

Assembly manual 6/8

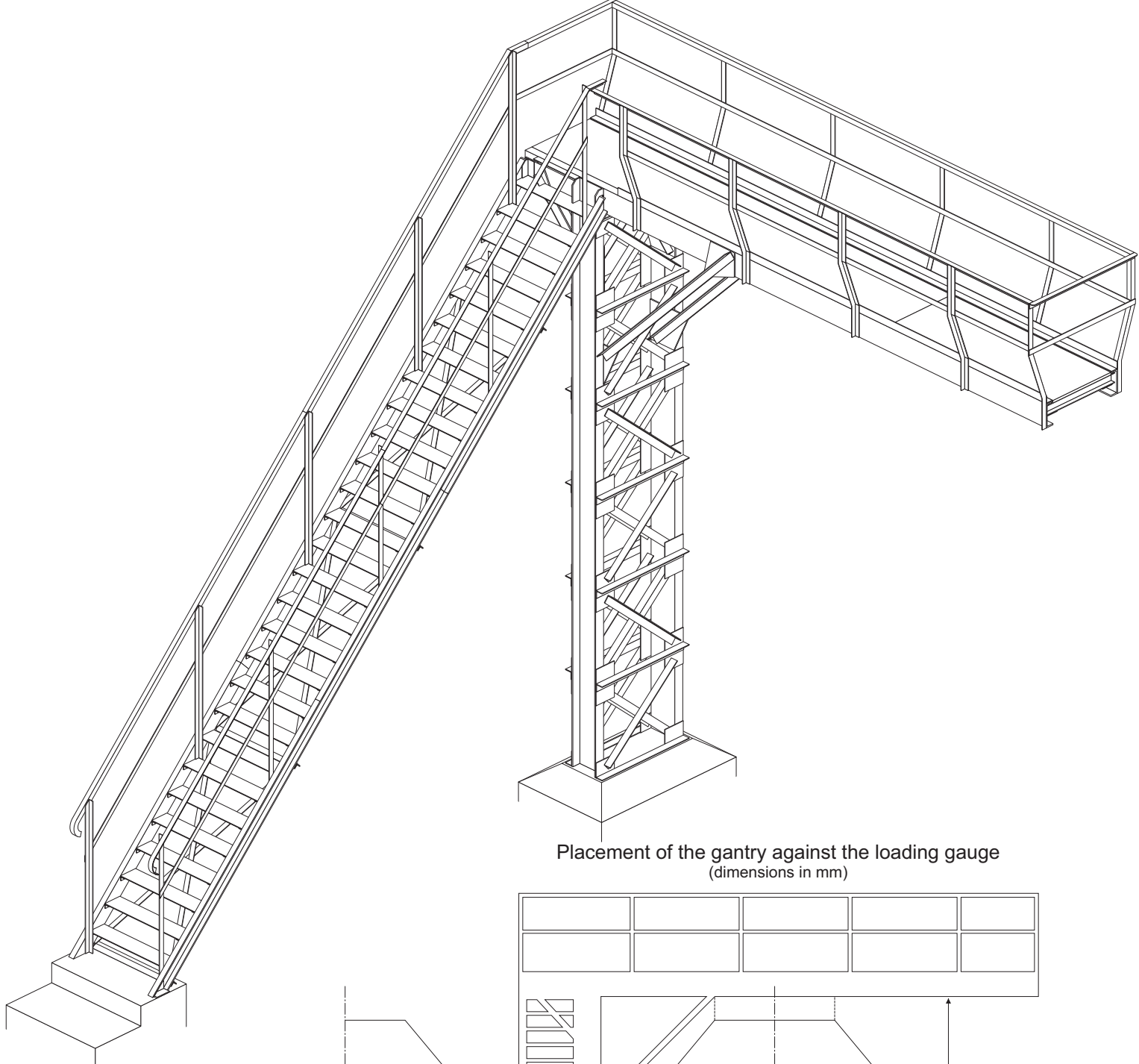
Additional parts for placement
of a semaphore signal

Cut off a hole in part 5b+5c
the size of part 9+9a approx in
the middle of the gantry's
width.

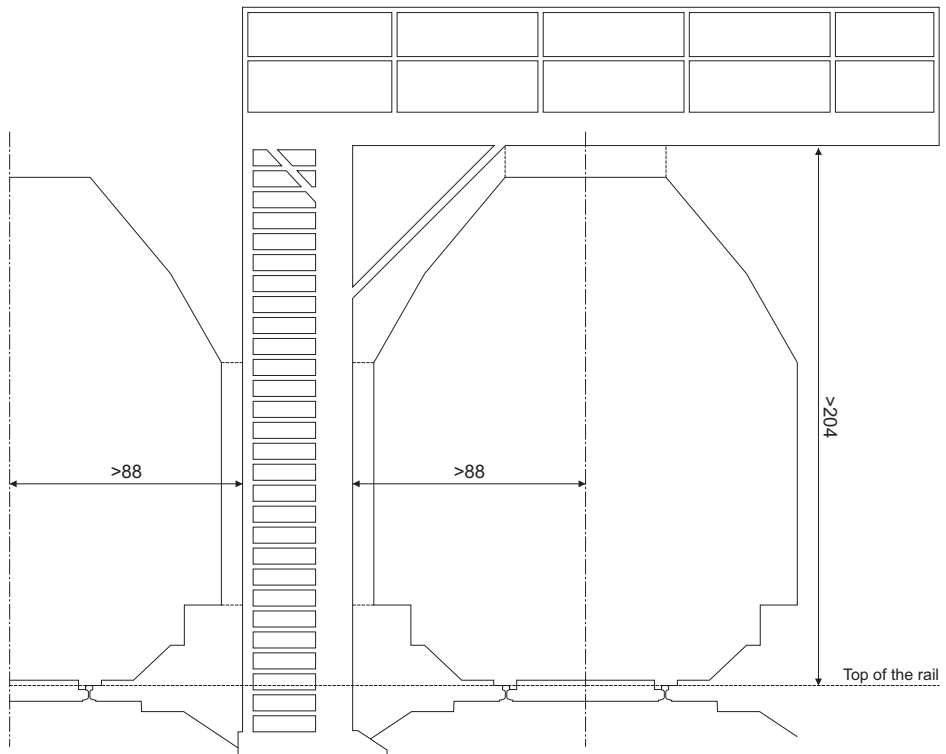


Light signal gantry, scale 1:25

Assembly manual 7/8



Placement of the gantry against the loading gauge
(dimensions in mm)



Light signal gantry, scale 1:25

Assembly manual 8/8

