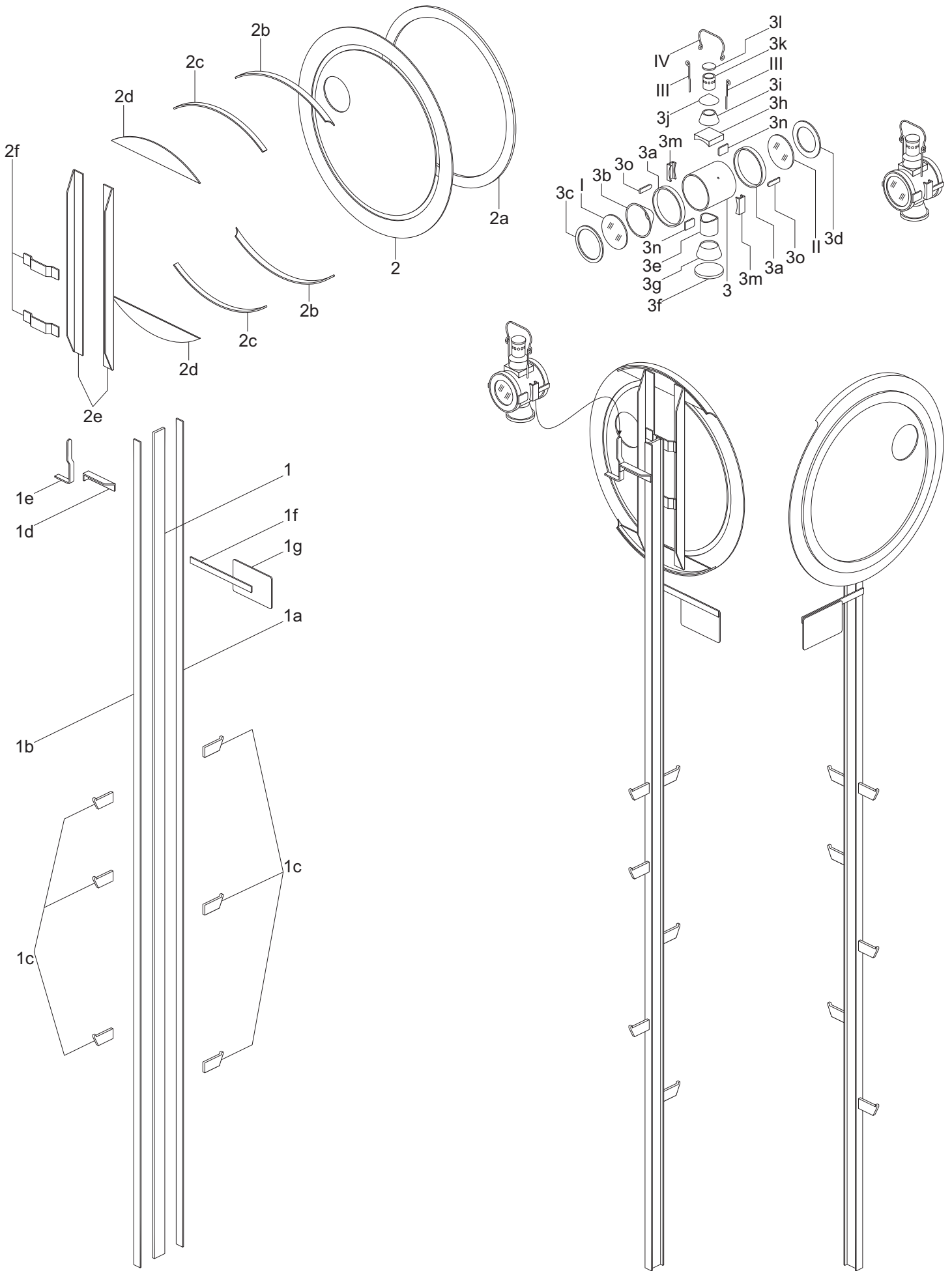


Fixed distant signal, scale 1:25

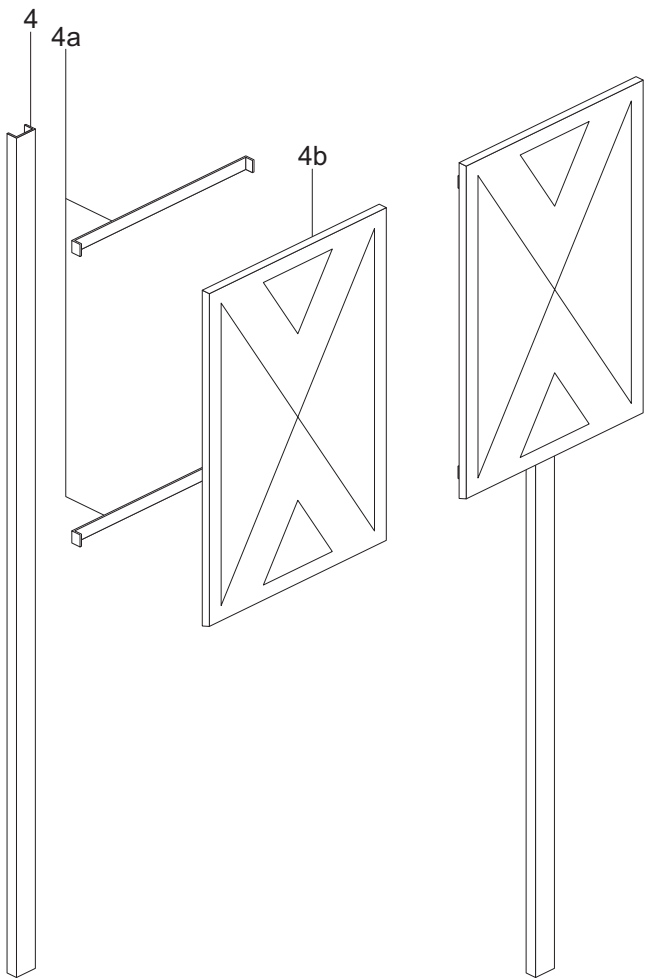


Fixed distant signal, scale 1:25

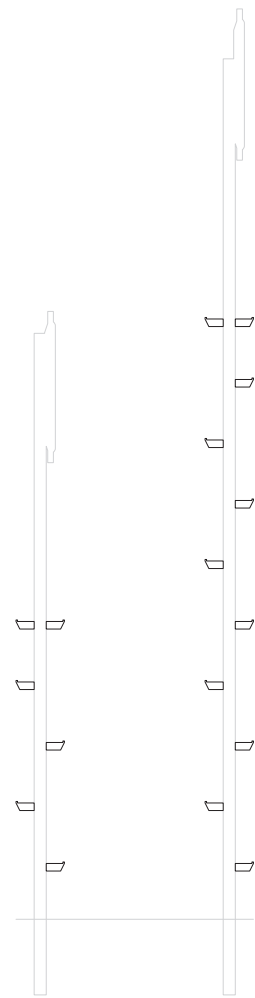
Assembly manual 1/2

Author: Paweł Adamowicz (<http://pkprepo.net/>), 2015, selected rights reserved



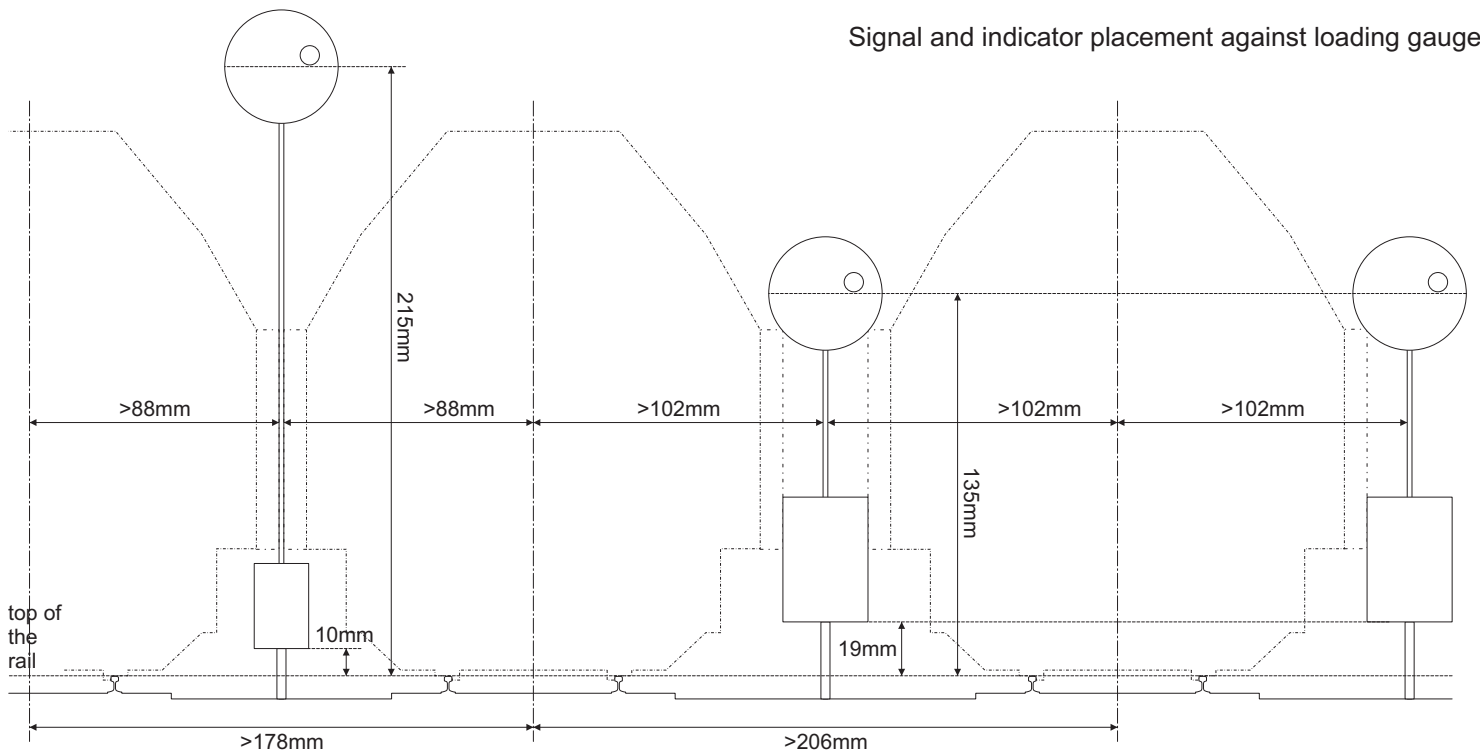


Indicator W1



Layout of steps (1c) on normal and high signal

Signal and indicator placement against loading gauge



Fixed distant signal, scale 1:25

Assembly manual 2/2

Author: Paweł Adamowicz (<http://pkprepo.net/>), 2015, selected rights reserved

