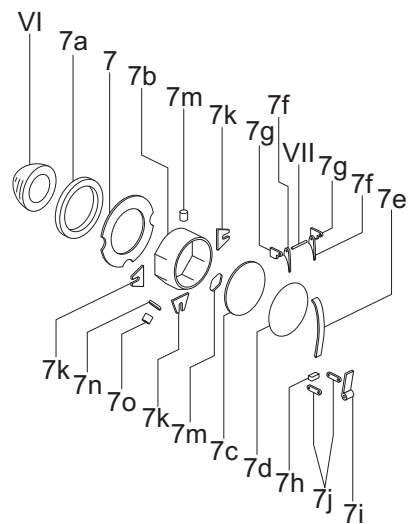
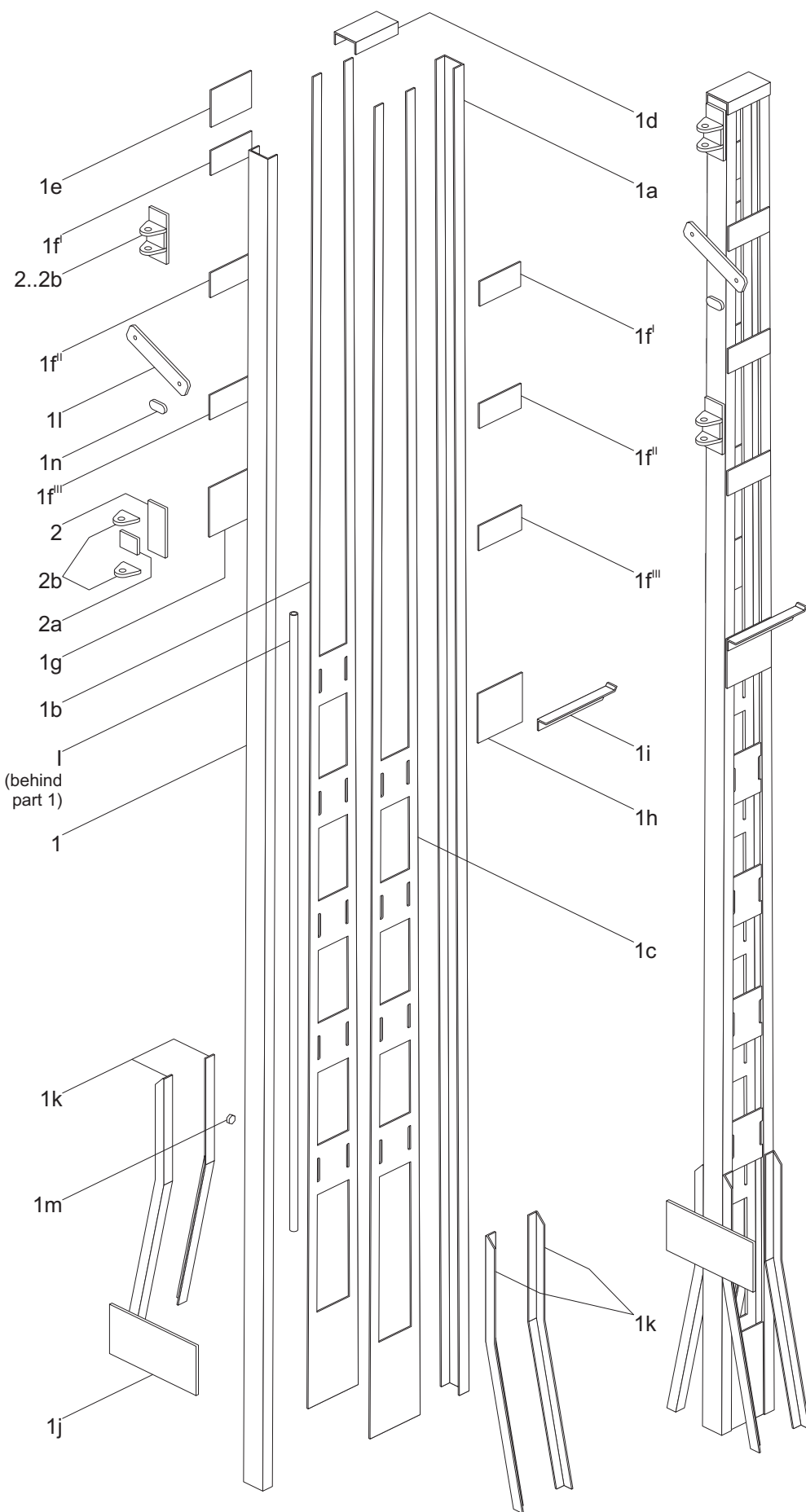
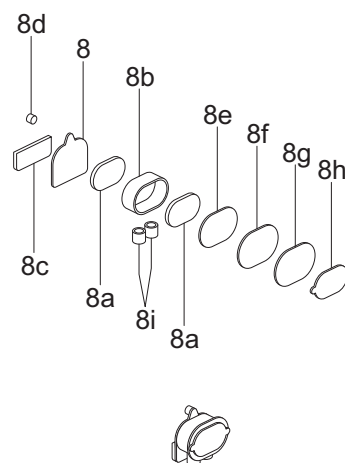


Light distant signal by DRG, scale 1:25



Parts 7n+7o should be placed on the side of the cable and part 7m from the opposite side.

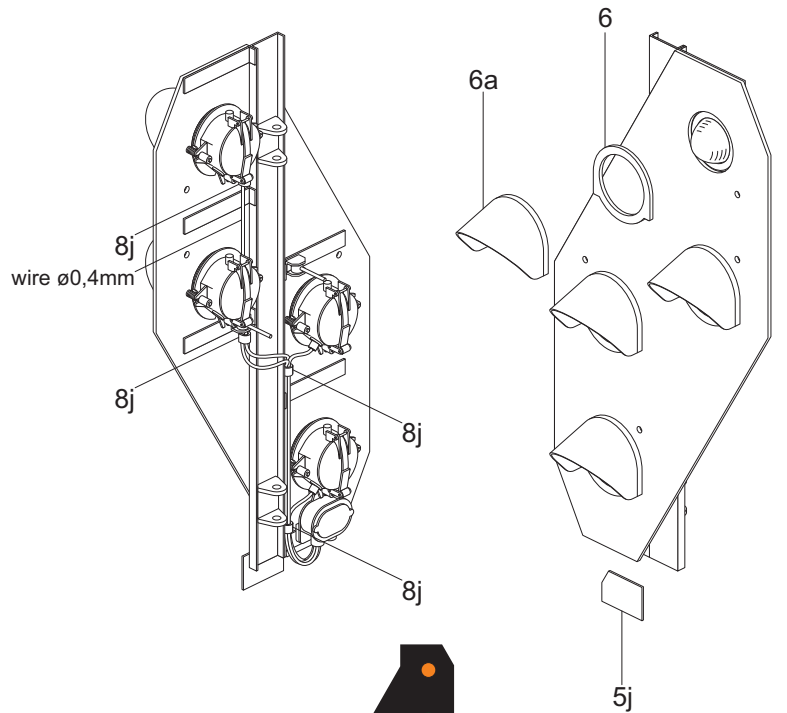
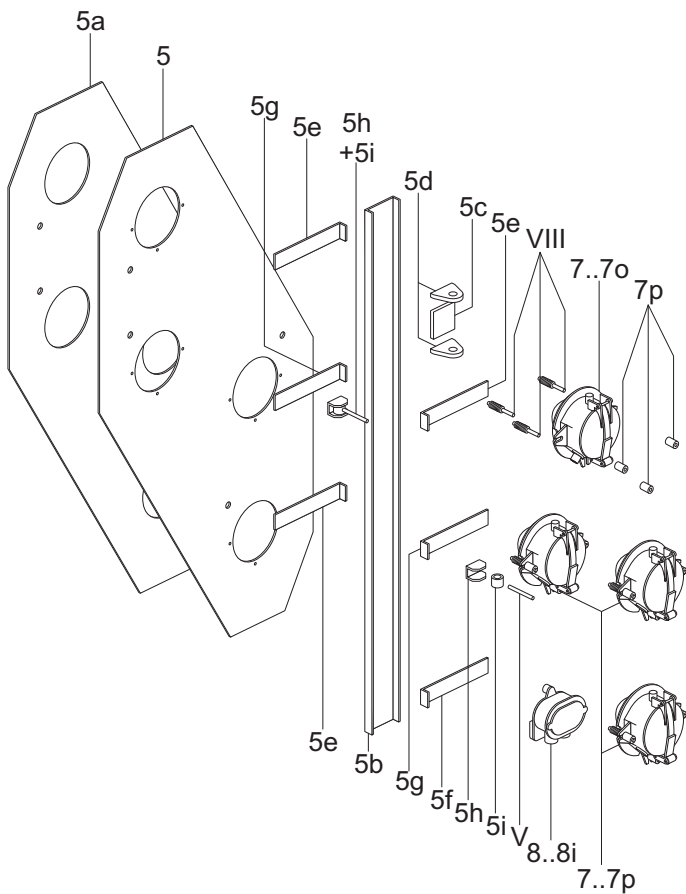
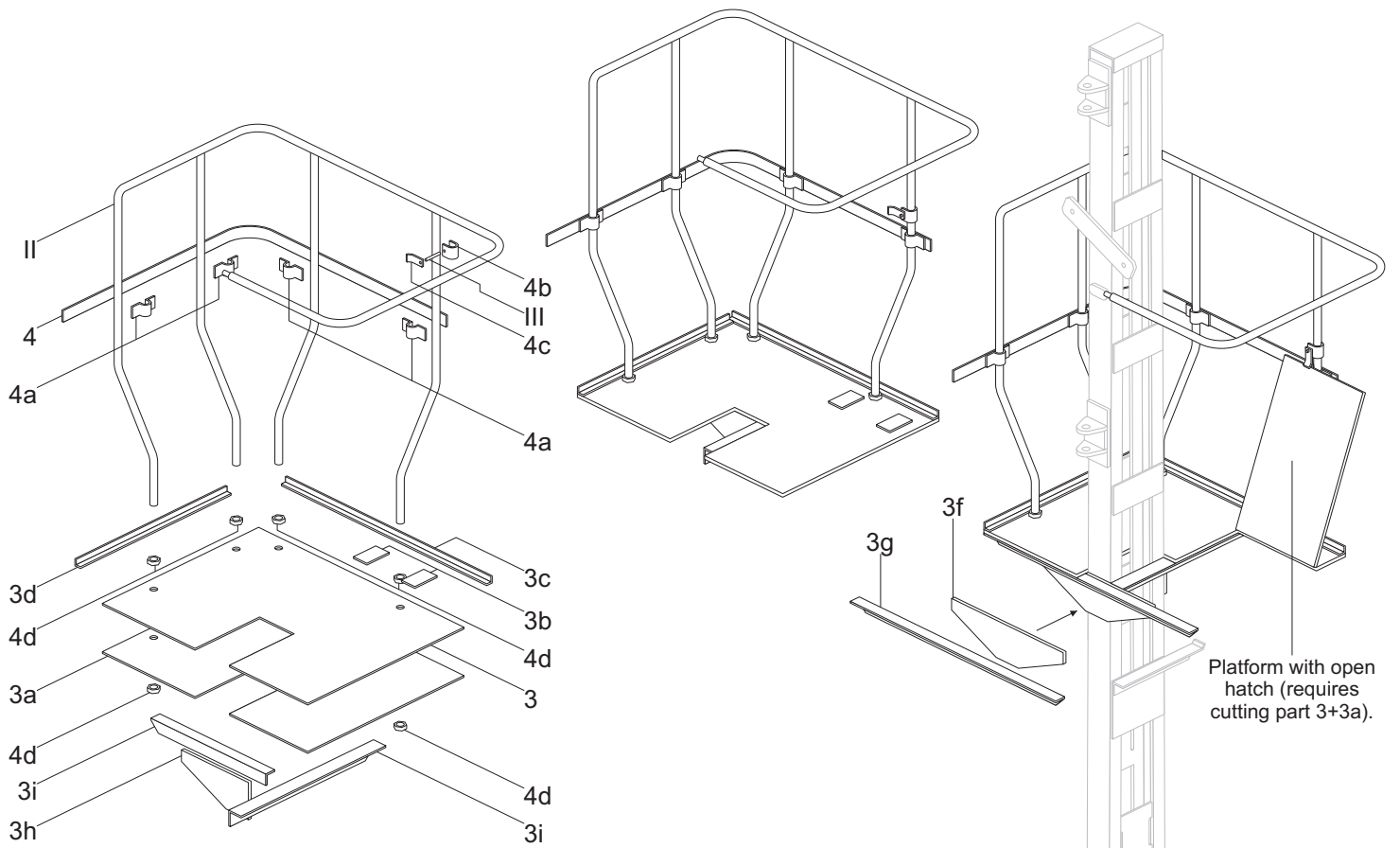


# Light distant signal by DRG, scale 1:25

Assembly manual 1/3

Author: Paweł Adamowicz (<http://pkprepo.net/>), 2018, selected rights reserved





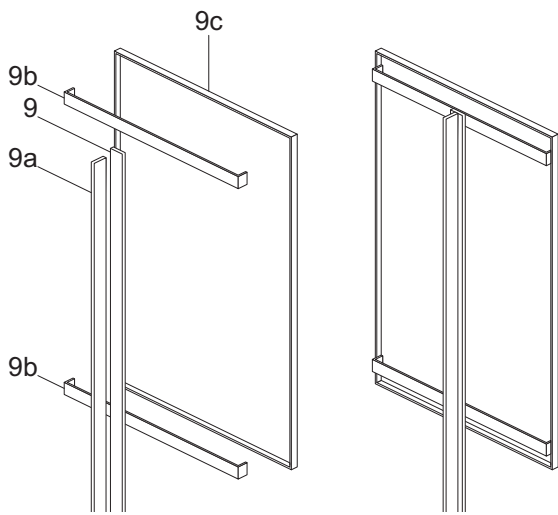
Arrangement of aspects colours

# Light distant signal by DRG, scale 1:25

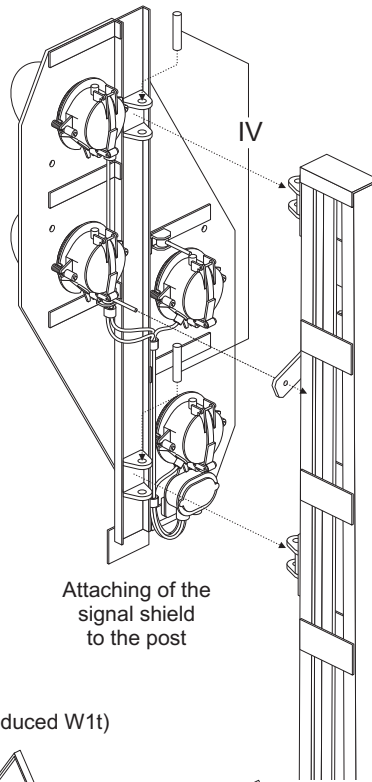
Assembly manual 2/3

Author: Paweł Adamowicz (<http://pkprepo.net/>), 2018, selected rights reserved

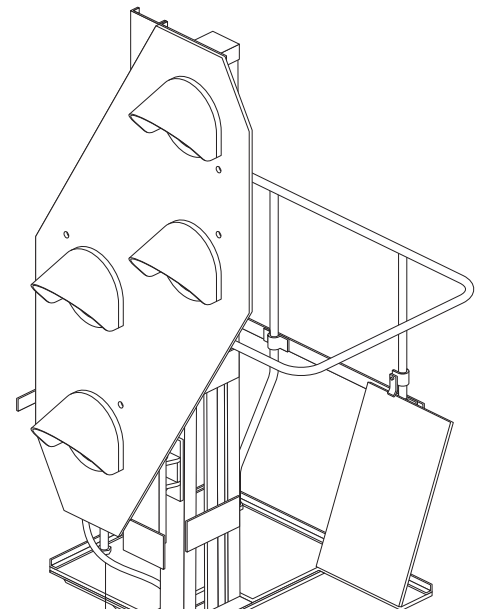




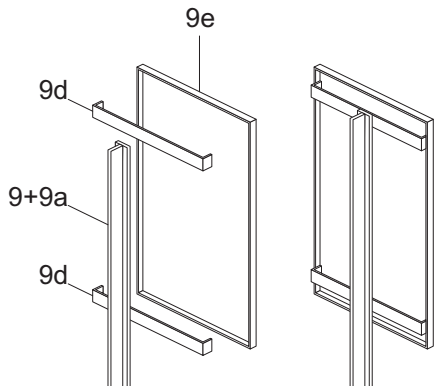
Indicator K3o/W1d



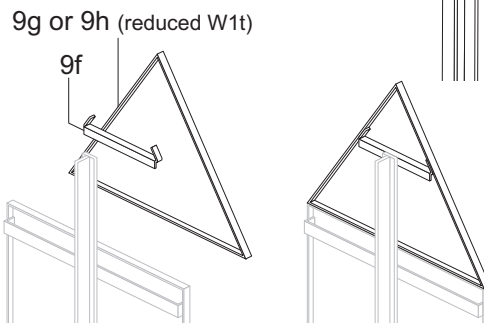
Attaching of the signal shield to the post



Wire  $\varnothing 0,8\text{mm}$   
from part 8i  
to part I

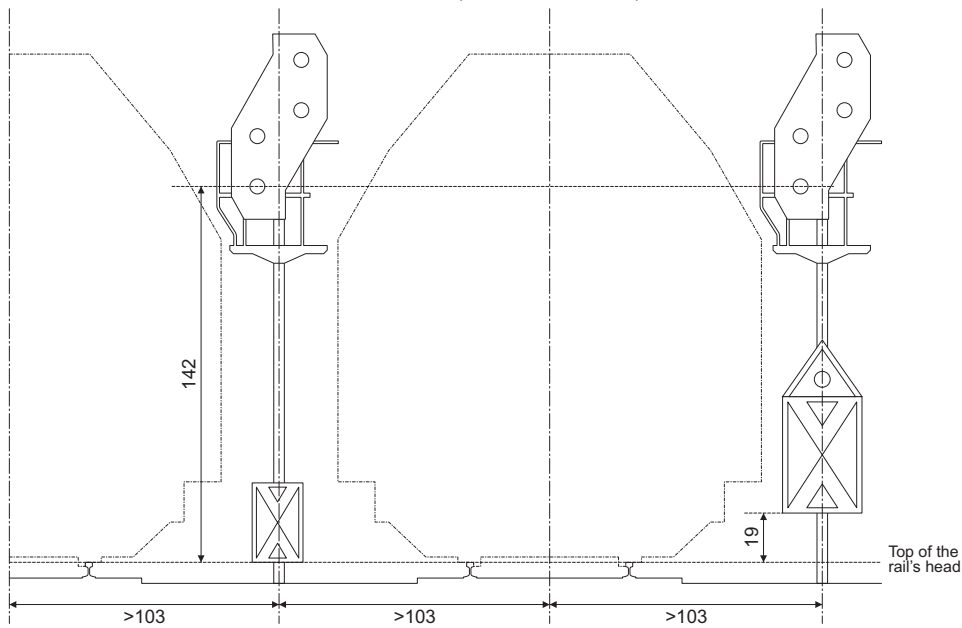


Indicator K3o/W1d (reduced size)



Additional board for indicator K3z/W1t

Signal placement against loading gauge  
(dimensions in mm)



# Light distant signal by DRG, scale 1:25

Assembly manual 3/3

Author: Paweł Adamowicz (<http://pkprepo.net/>), 2018, selected rights reserved

