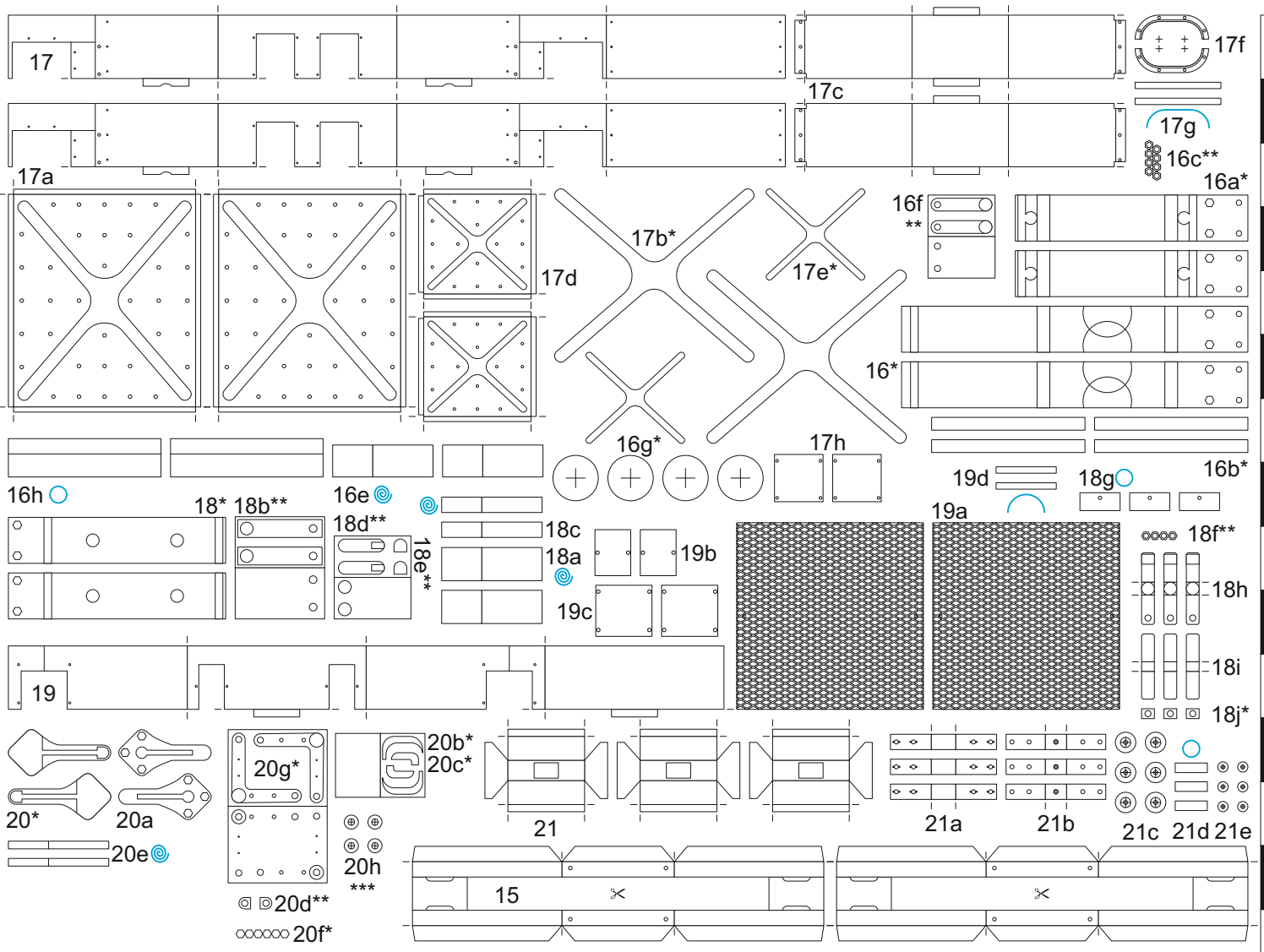
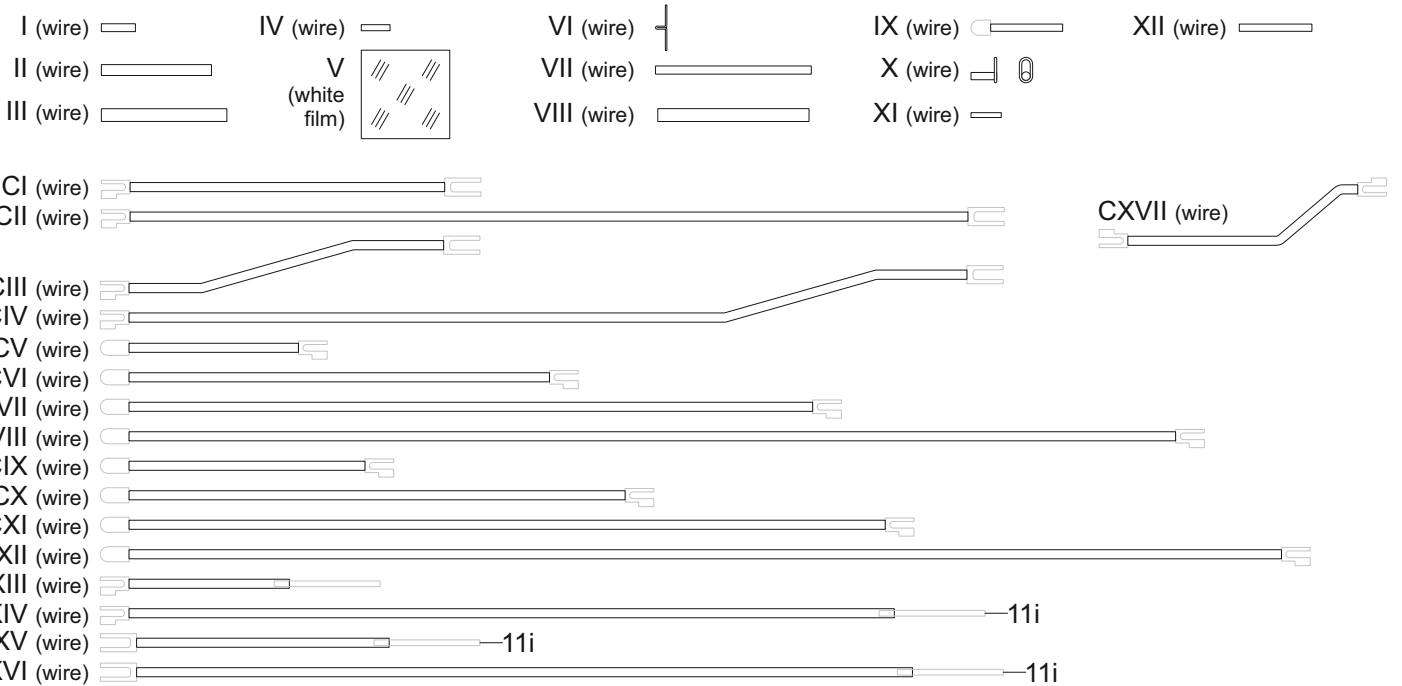


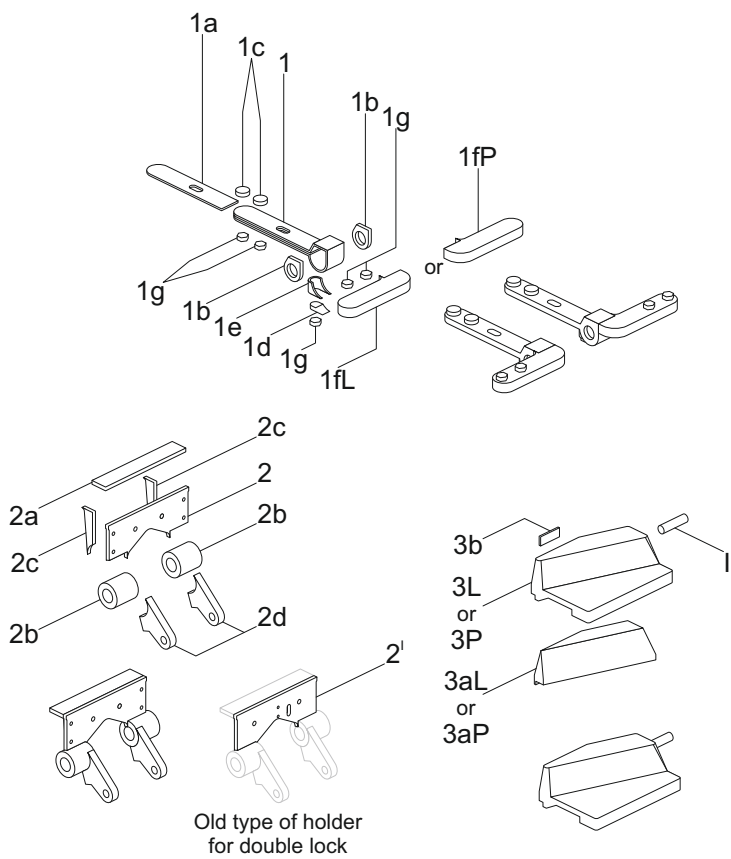
Derailer, scale 1:25



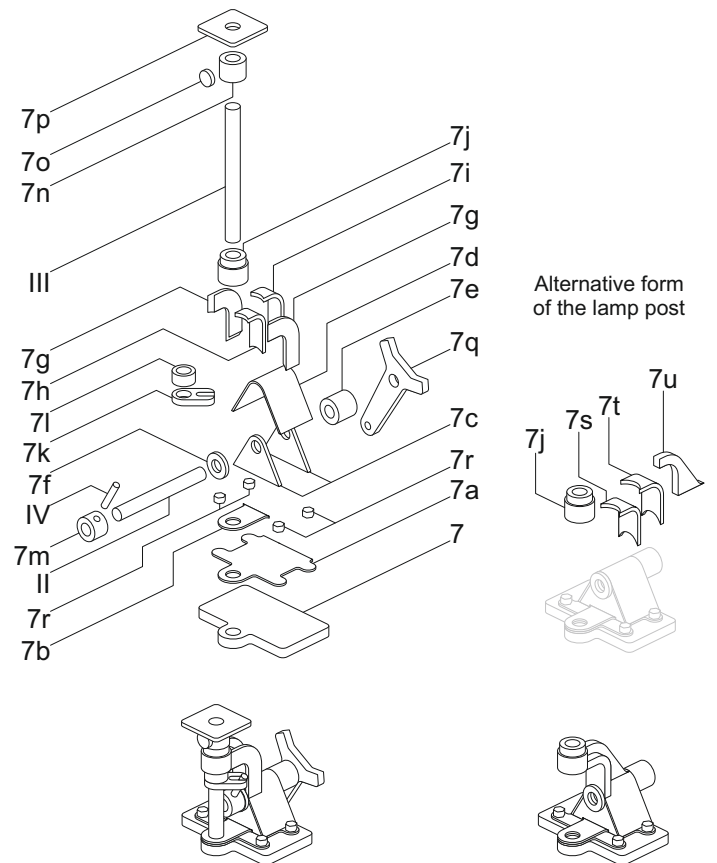
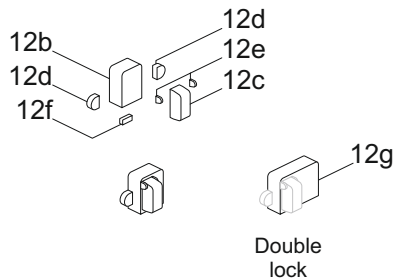
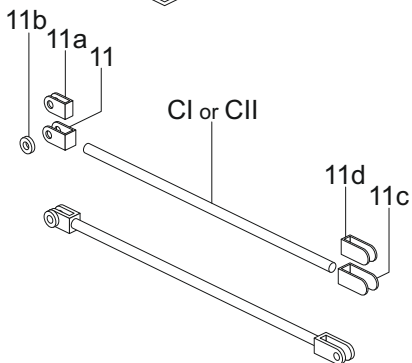
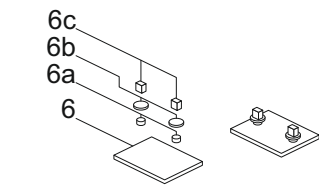
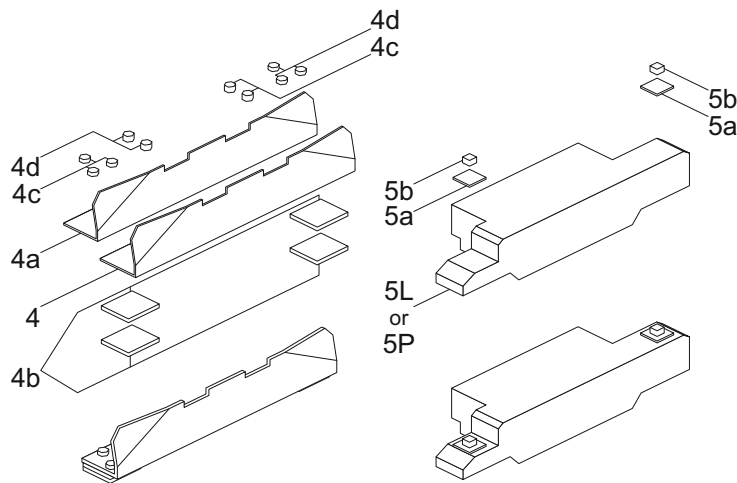
Templates



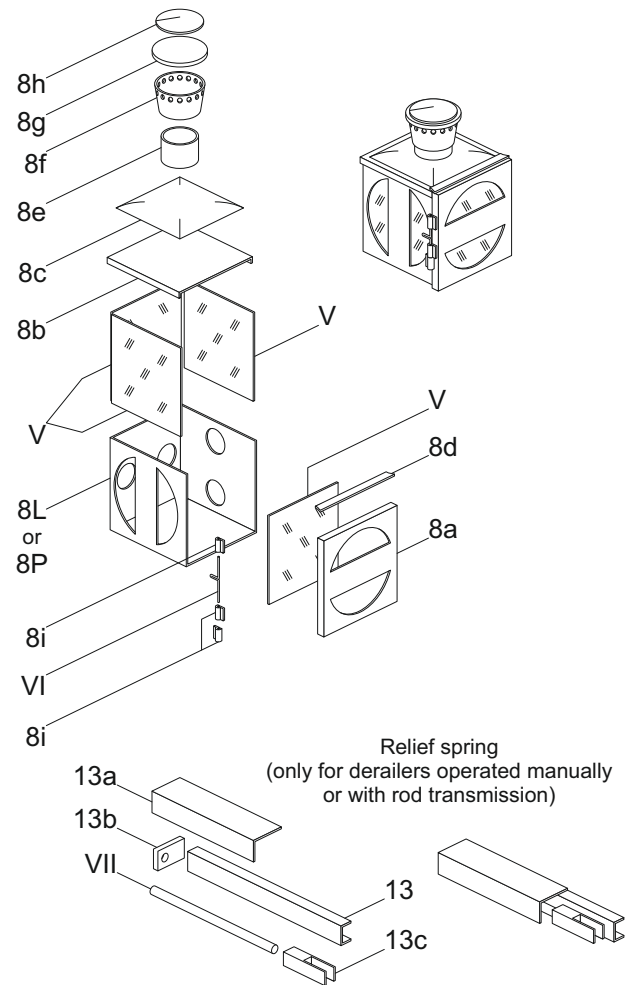
Derailer, scale 1:25



Old type of holder for double lock



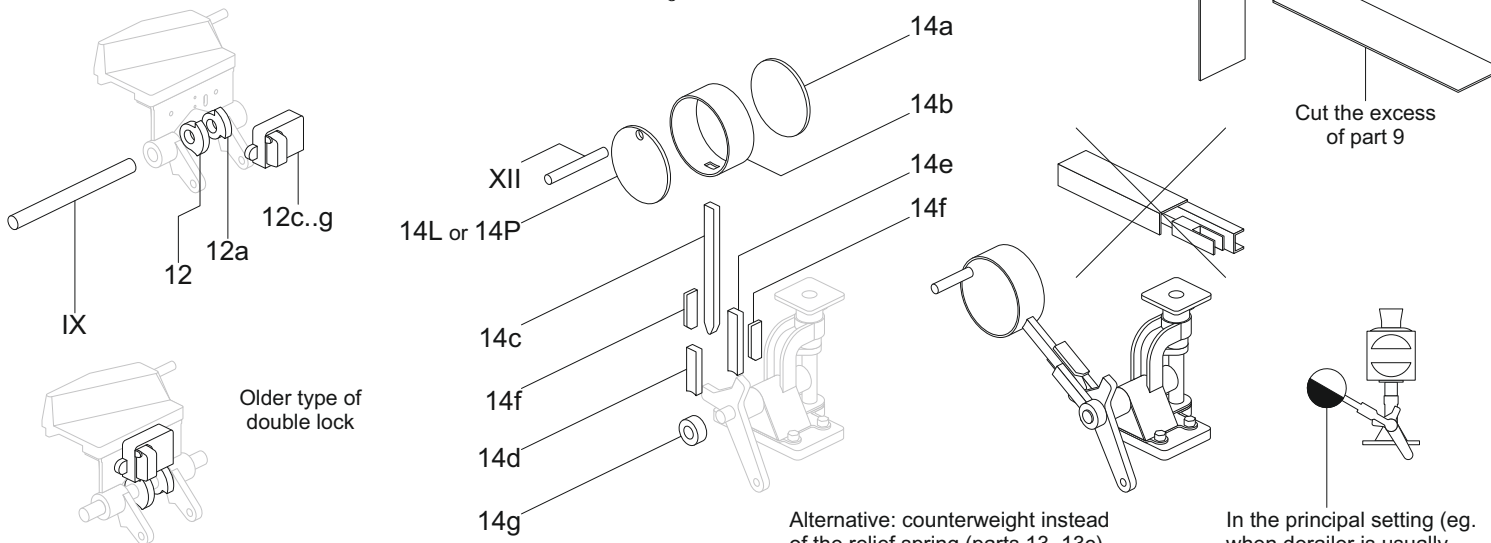
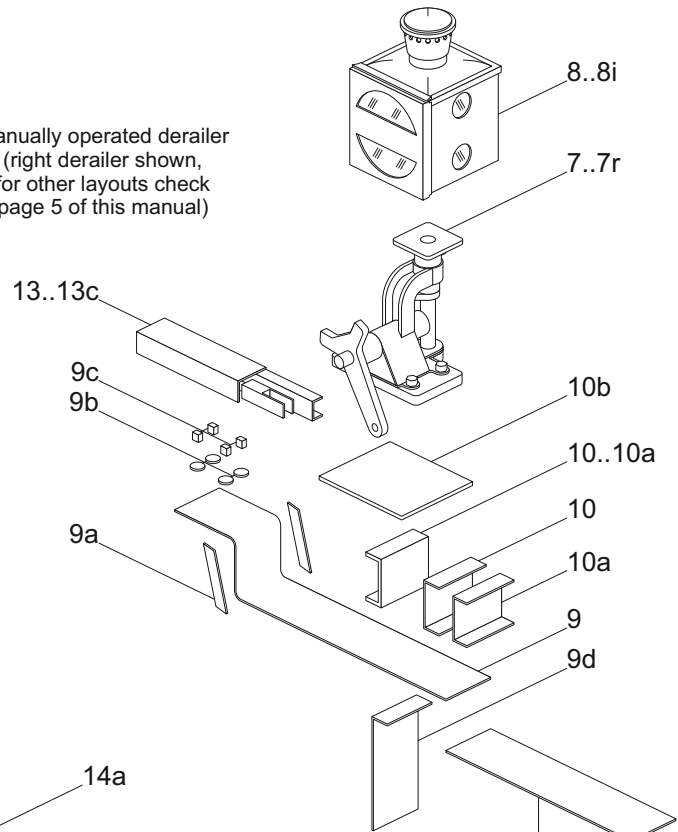
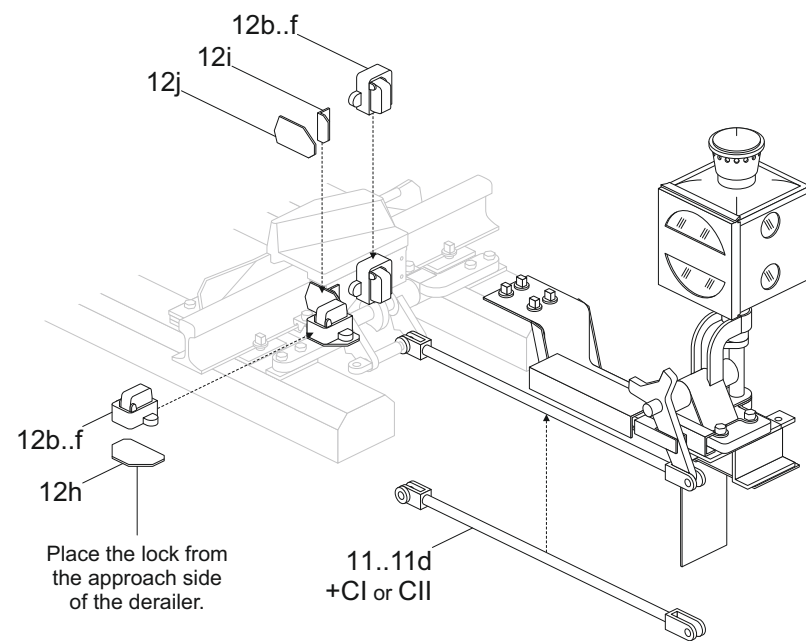
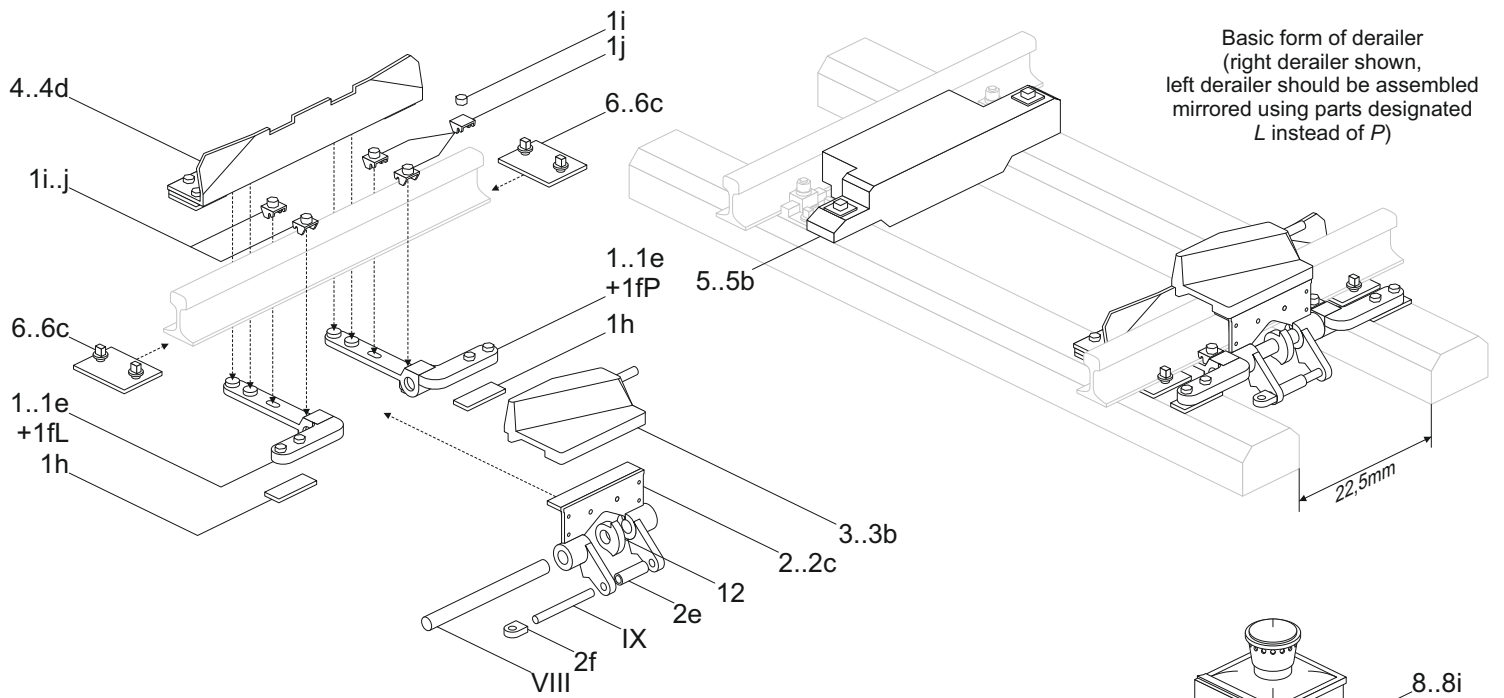
Alternative form of the lamp post



Relief spring (only for derailleurs operated manually or with rod transmission)

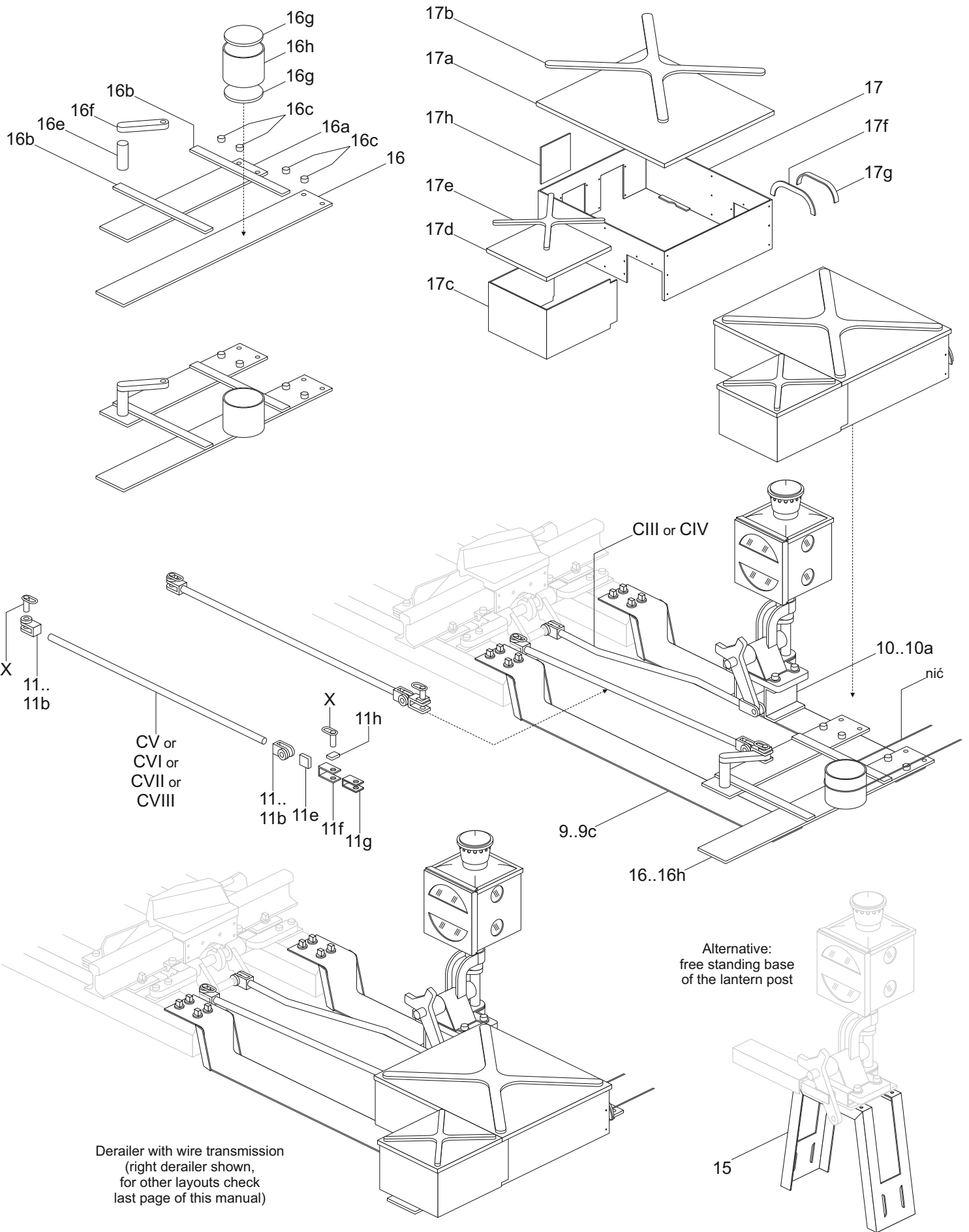
Derailer, scale 1:25

Assembly manual 1/6



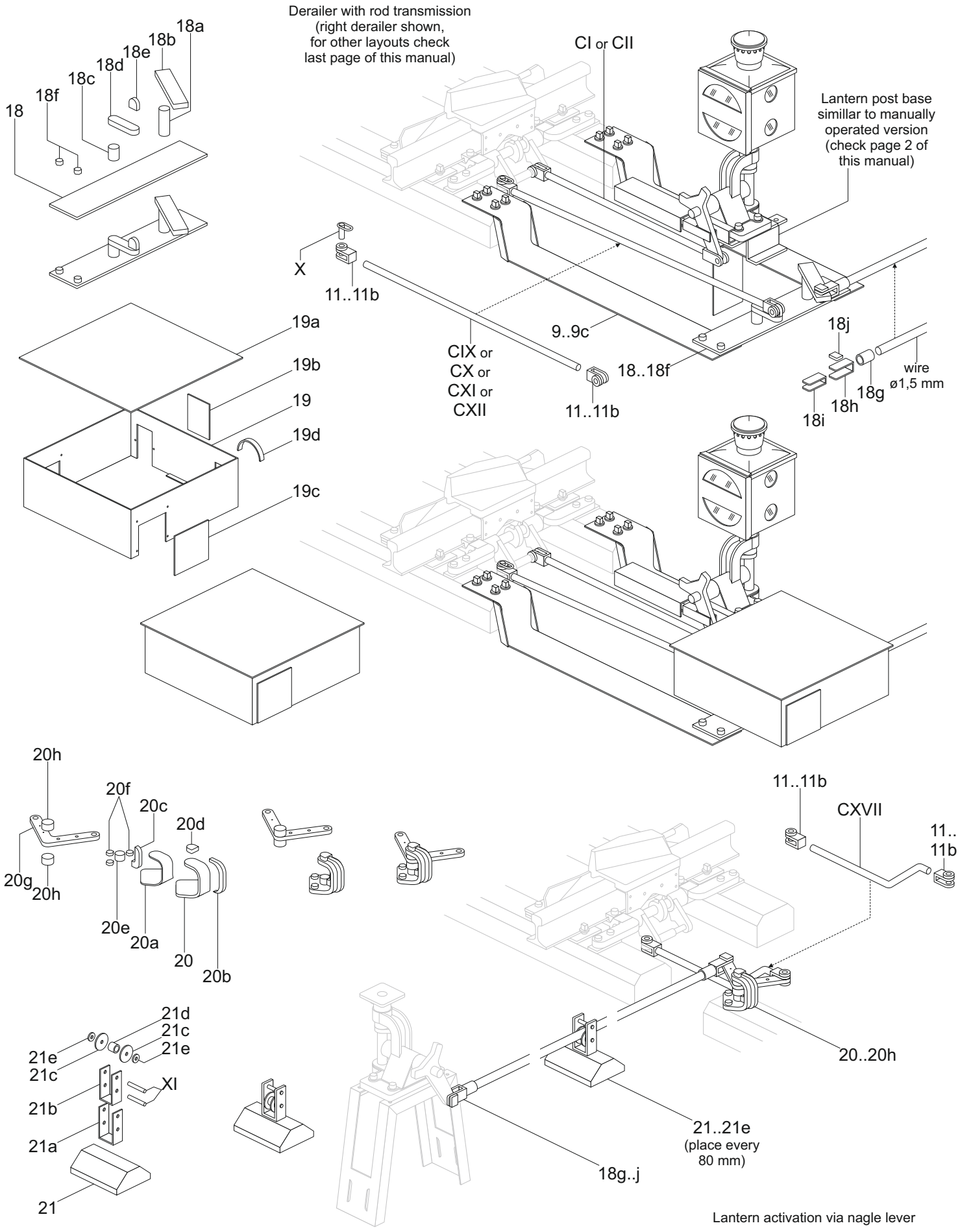
Derailer, scale 1:25

Assembly manual 2/6



Derailer, scale 1:25

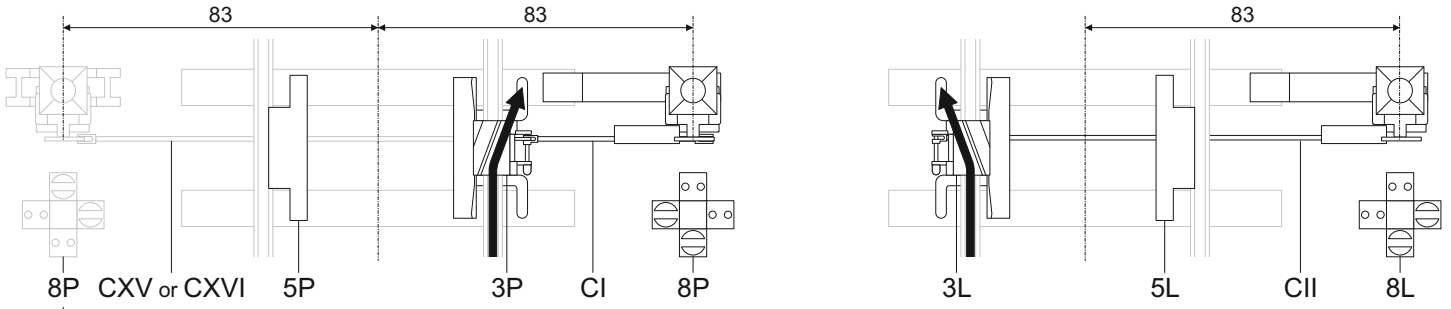
Assembly manual 3/6



Derailer, scale 1:25

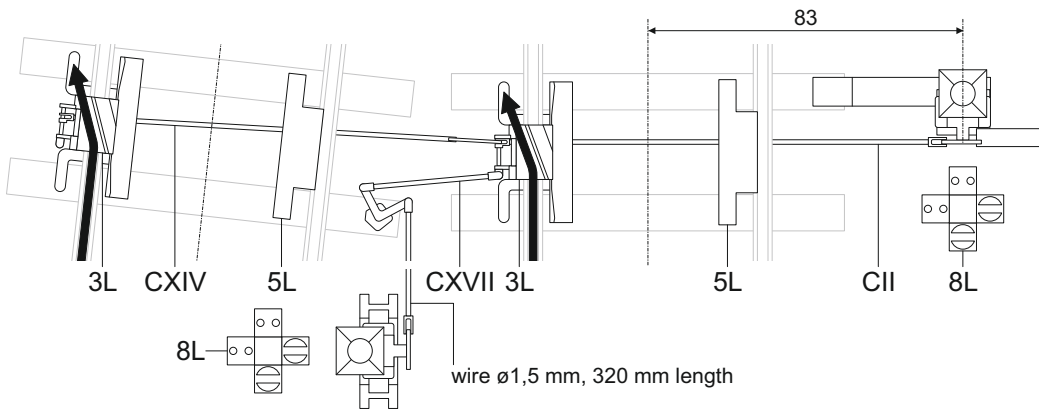
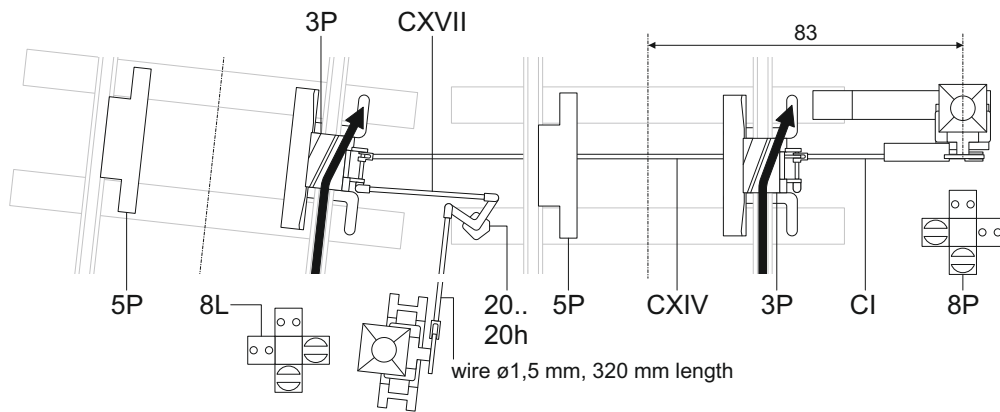
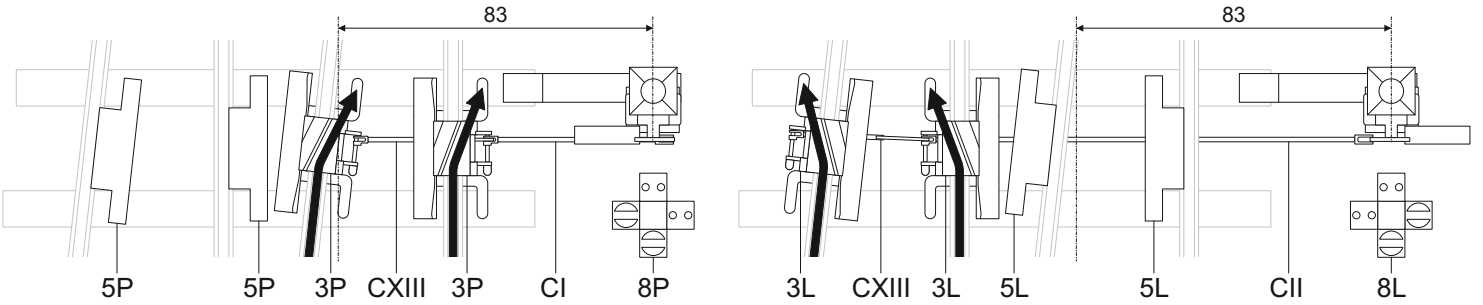
Assembly manual 4/6

Manually operated derailleurs



Left lantern present only for derailleurs which are not interlocked with other traffic equipment.

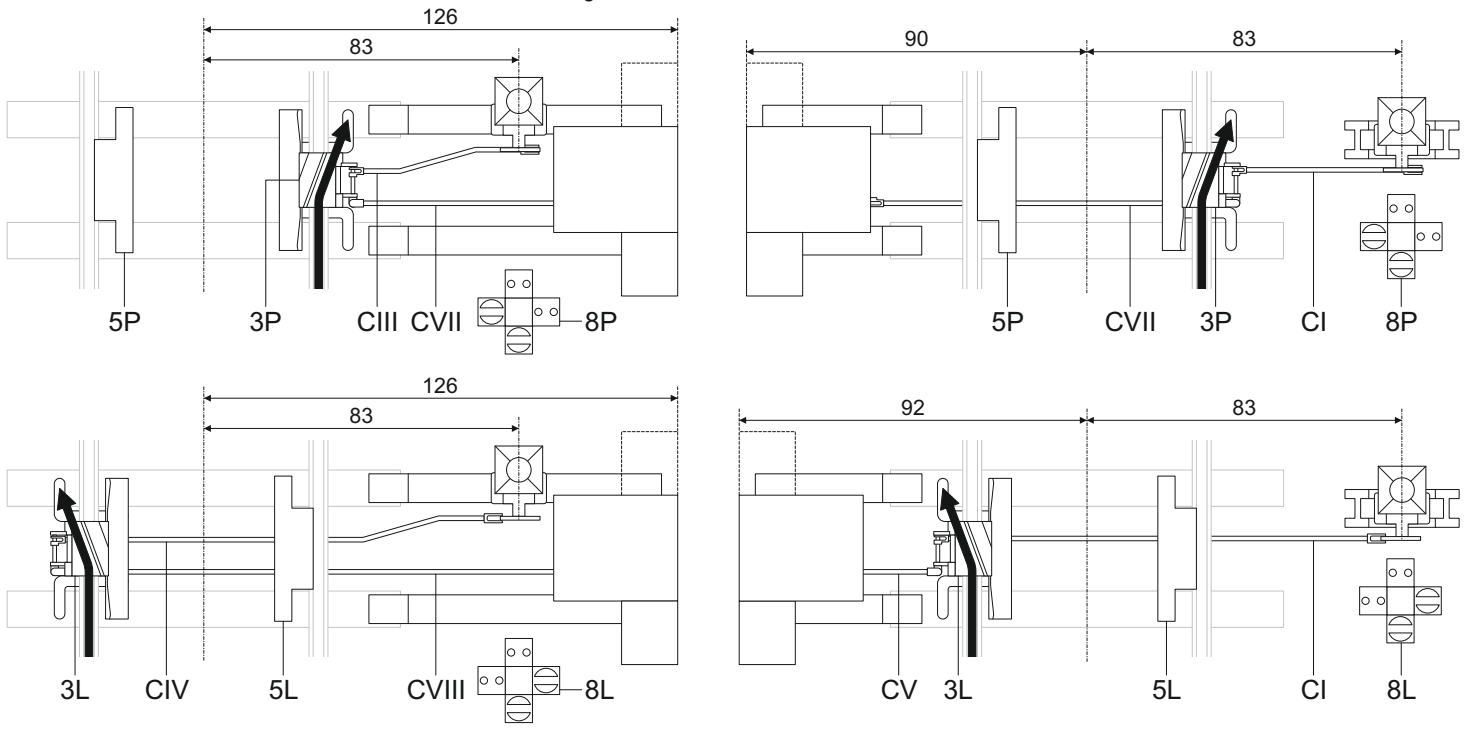
Coupled derailleurs
(operated manually or with mechanical transmission)



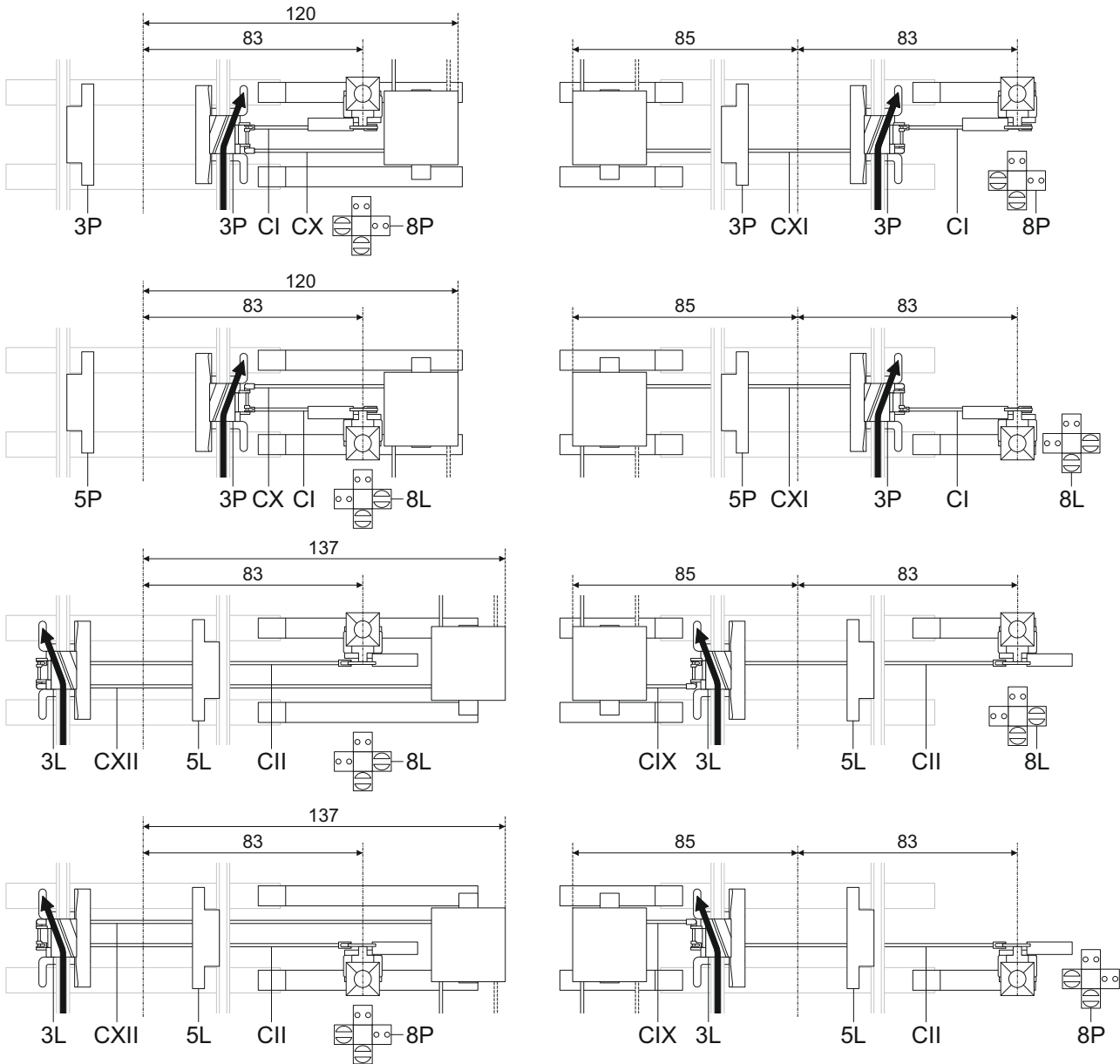
Derailer, scale 1:25

Assembly manual 5/6

Single derailleurs with wire transmission



Single derailleurs with rod transmission



Derailer, scale 1:25

Assembly manual 6/6

Author: Paweł Adamowicz (<http://pkprepo.net/>), 2021, selected rights reserved

