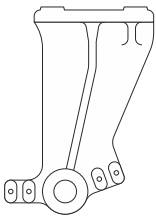
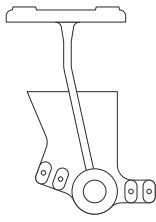


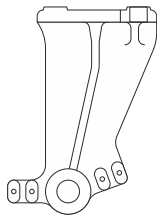
Parts for 3D printing



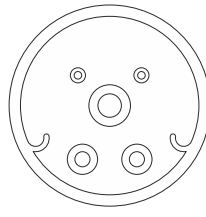
1a
1a.stl
PETG or PLA
grey
1x*



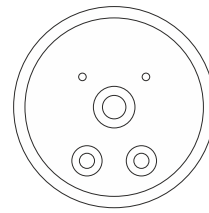
1b
1b.stl
PETG or PLA
grey
1x*



1c
1c.stl
PETG or PLA
grey
1x*



2a
2a.stl
PETG or PLA
grey
1x



2b
2b.stl
PETG or PLA
grey
1x



3a
3a.stl
PETG or PLA
grey
1x



3b
3b.stl
PETG or PLA
grey
1x



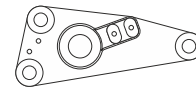
4
4.stl
PETG or PLA
grey
1x



5
5.stl
PETG or PLA
grey
1x



6
6.stl
PETG or PLA
grey
1x* or 2x*

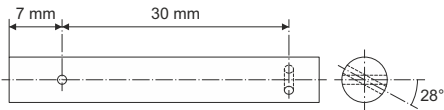


7
7.stl
PETG or PLA
grey
1x*



8
8.stl
PETG or PLA
grey
1x*

Other required parts



I
wire/rod
Ø 6 mm × 41 mm len.
1x



II
M3 bolt with head cut off
15 mm len.
1x



III
M3 nut
2x* or 5x*



IV
wire
Ø 2 mm × 5 mm len.
1x



IV
wire
Ø 1 mm × 11 mm len.
2x



V
screw
M1-M1,4 × 4 mm len.
4x



VI
screw
M2 × 6 mm len.
3x



VII
washer
M2 × 6 mm len.
1x



VIII
M4 bolt
14 mm len.
2x*

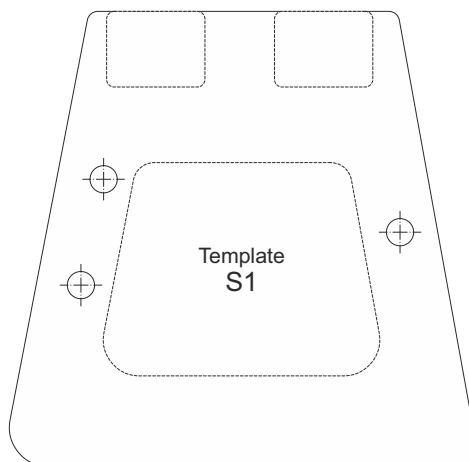


IX
M4 nut
2x*



X
M3 bolt
10 mm len.
3x*

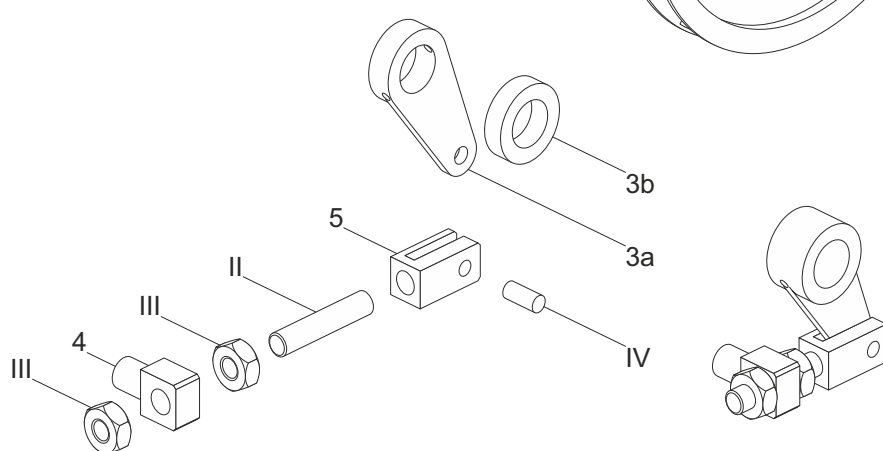
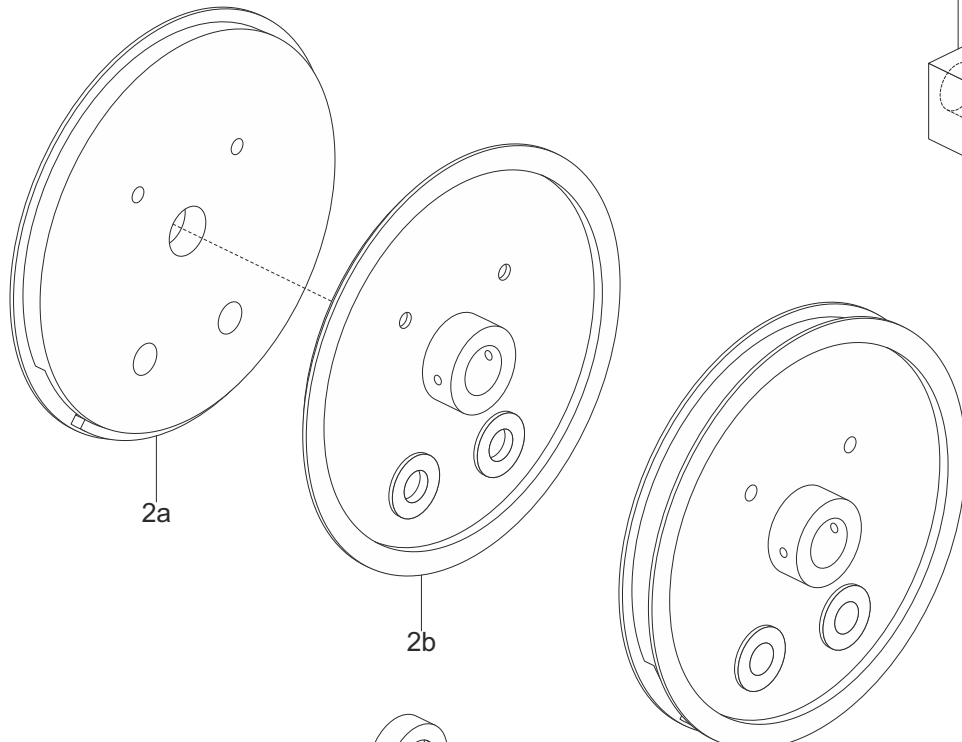
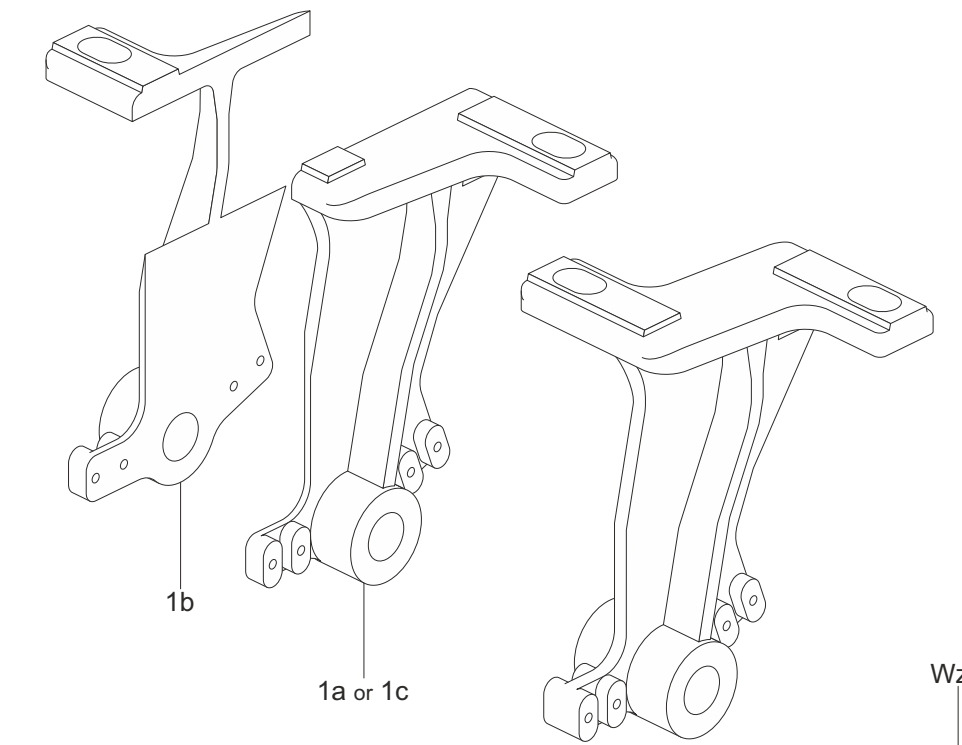
* Depending on the version of mousing, see page 3, 4 and 5 of the assembly manual.



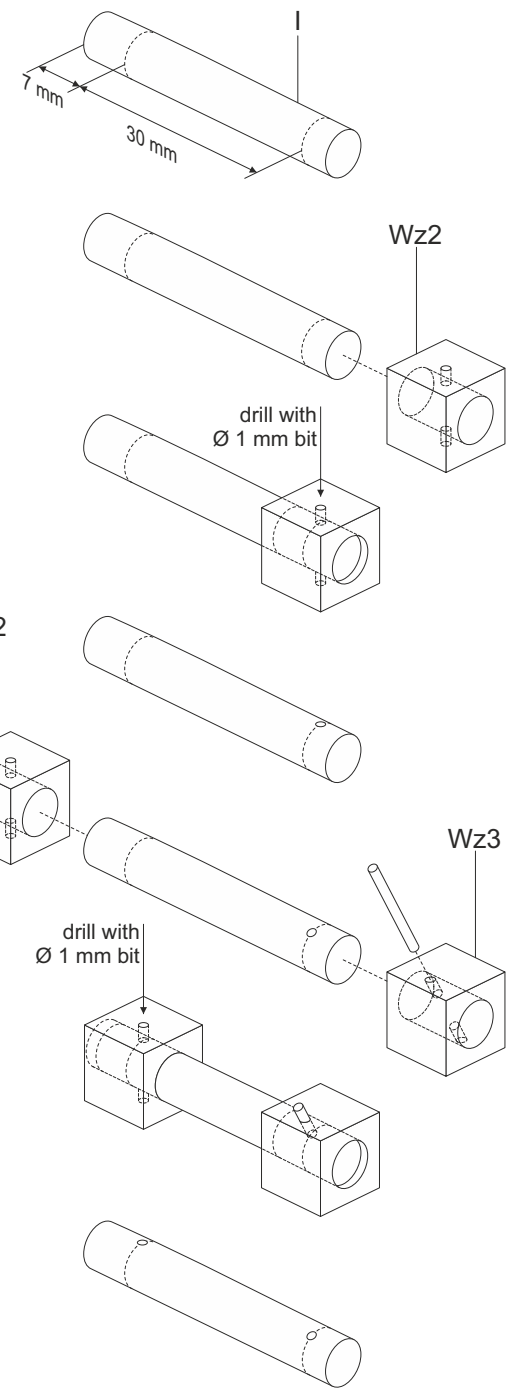
Coupling rollers, scale 1:5

List of parts

Author: Paweł Adamowicz (<http://pkprepo.net/>), 2025, selected rights reserved



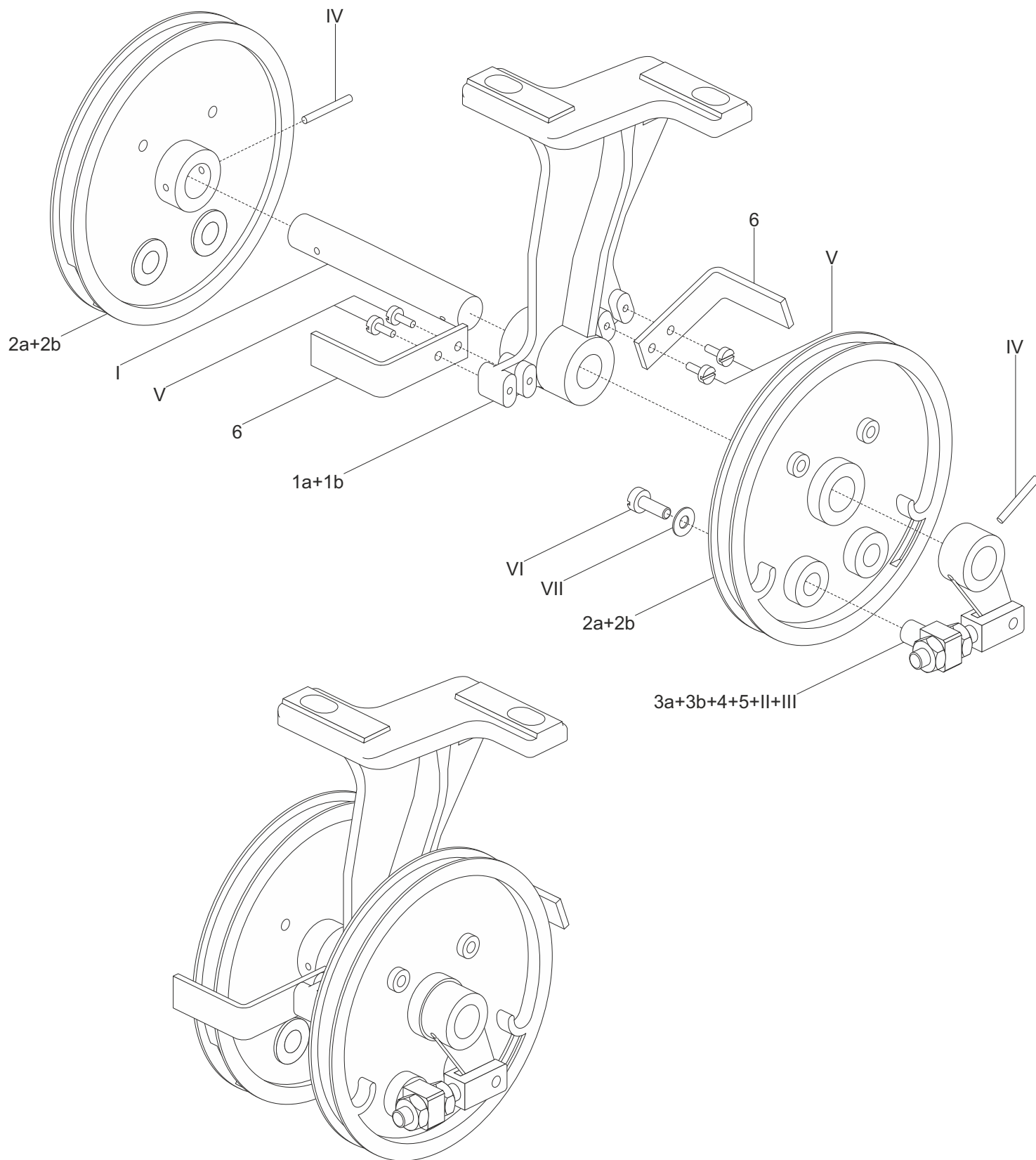
Drilling the holes in part I



(drill patterns Wz2 and Wz3 are available as a separate download)

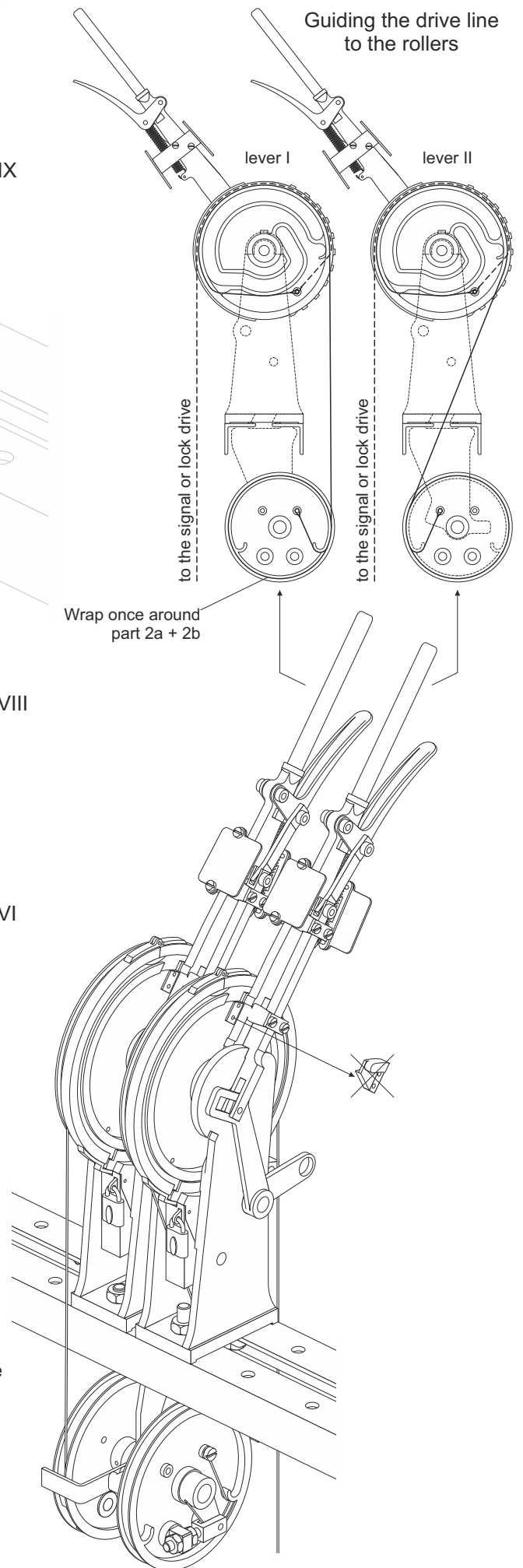
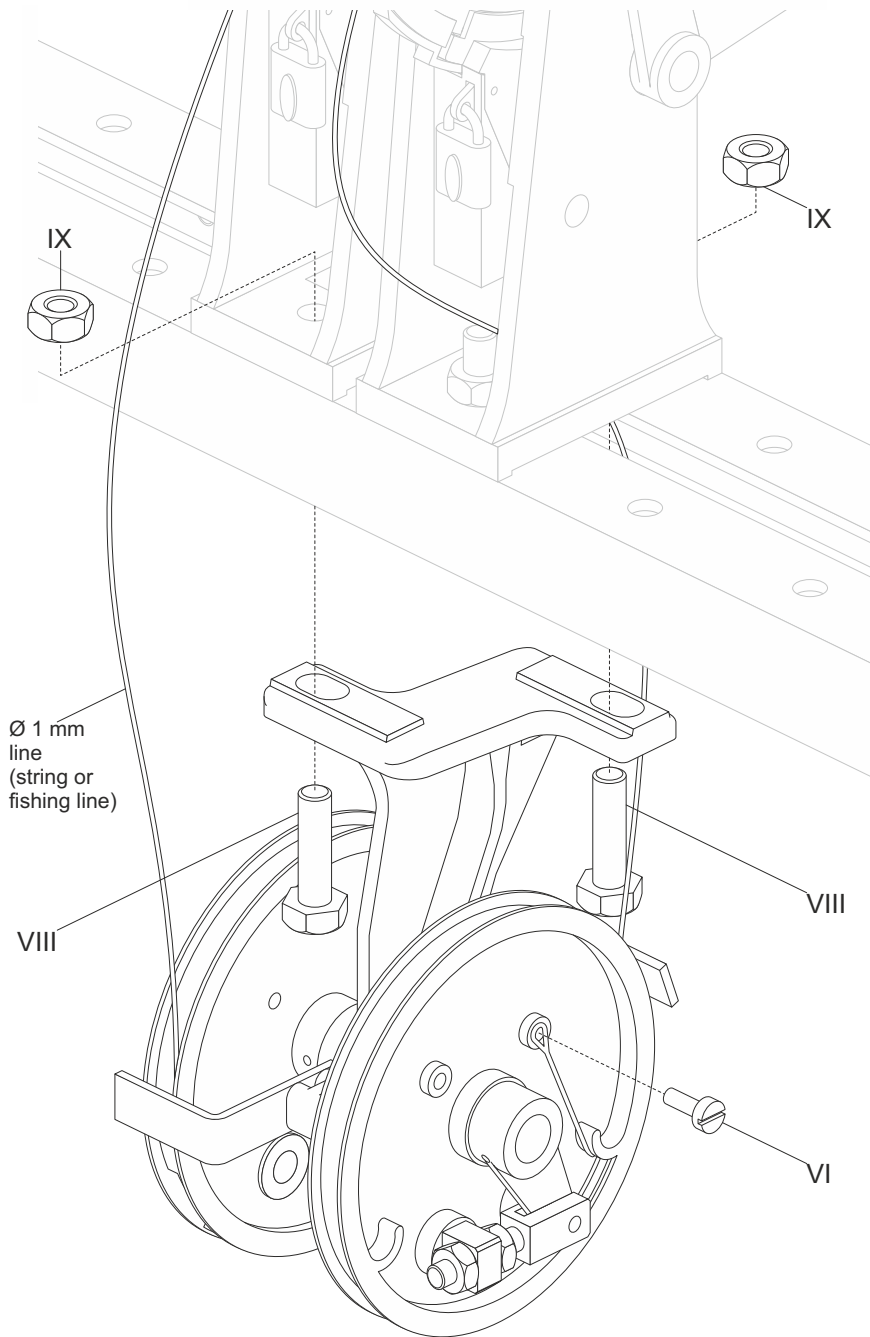
Coupling rollers, scale 1:5

Assembly manual 1/5



Coupling rollers, scale 1:5

Assembly manual 2/5

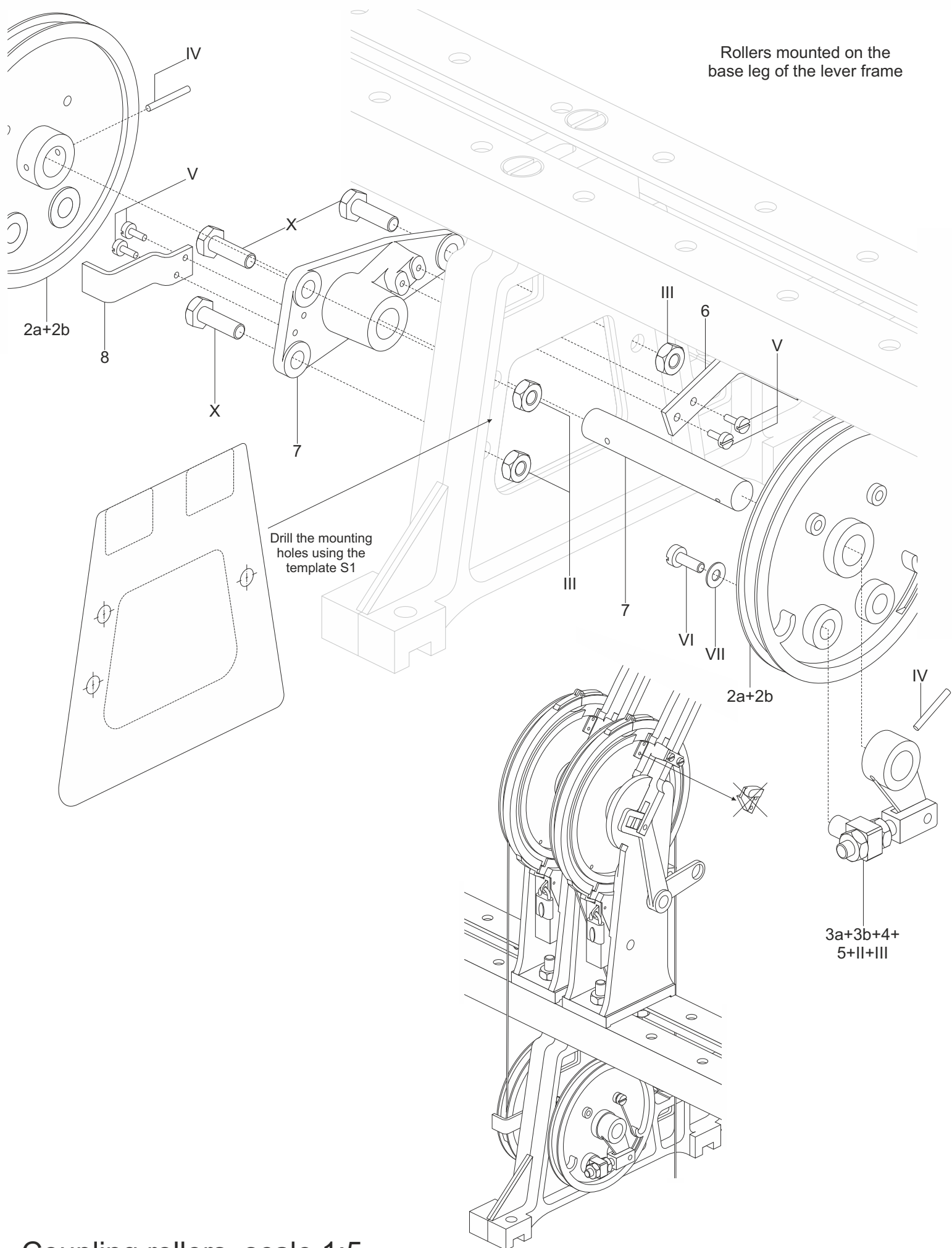


Example of using the rollers for coupled signal levers

Coupling rollers, scale 1:5

Assembly manual 3/5

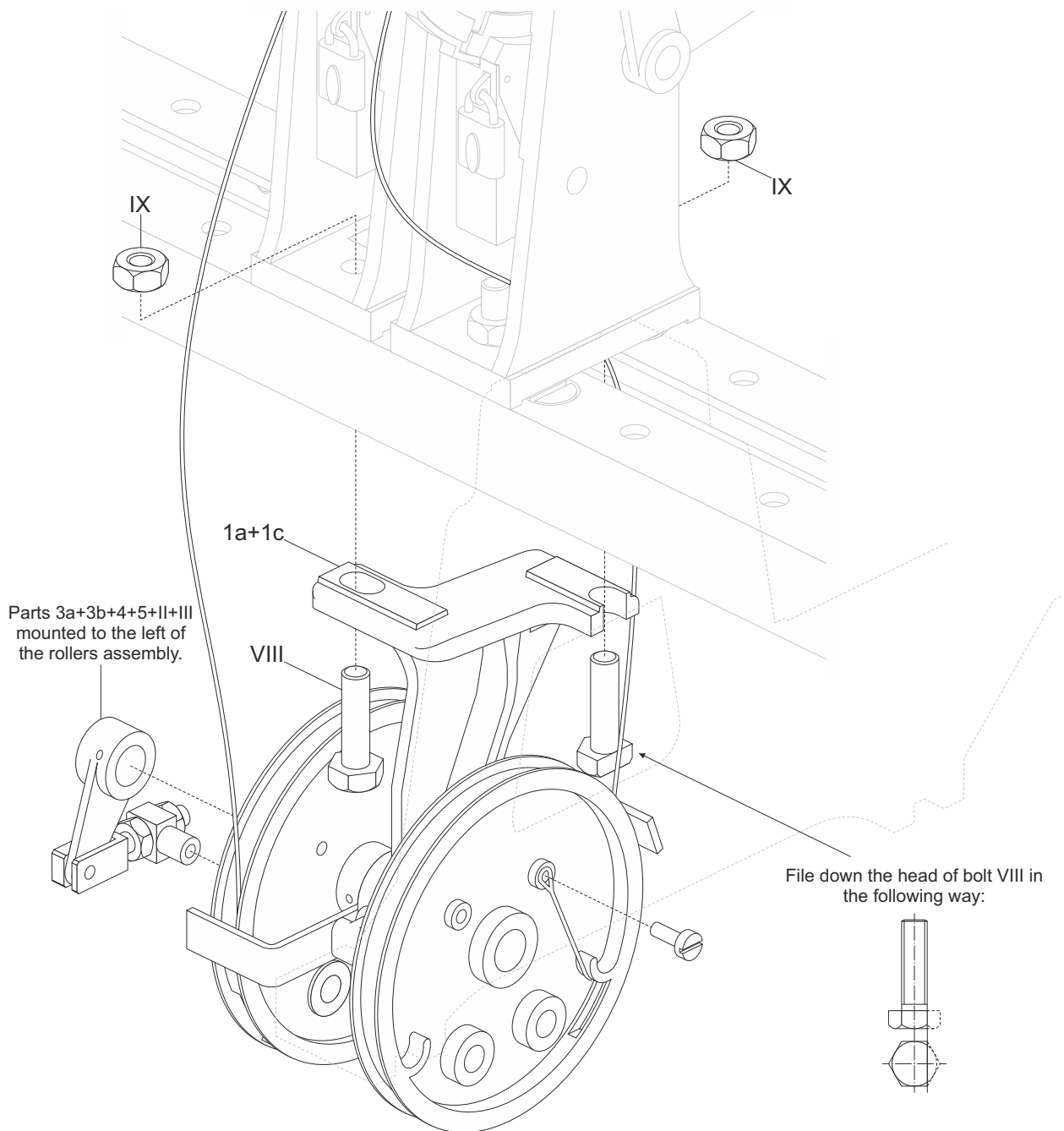
Rollers mounted on the
base leg of the lever frame



Coupling rollers, scale 1:5

Assembly manual 4/5

Rollers mounted next to the base leg of the frame (to the left).



Coupling rollers, scale 1:5

Assembly manual 5/5