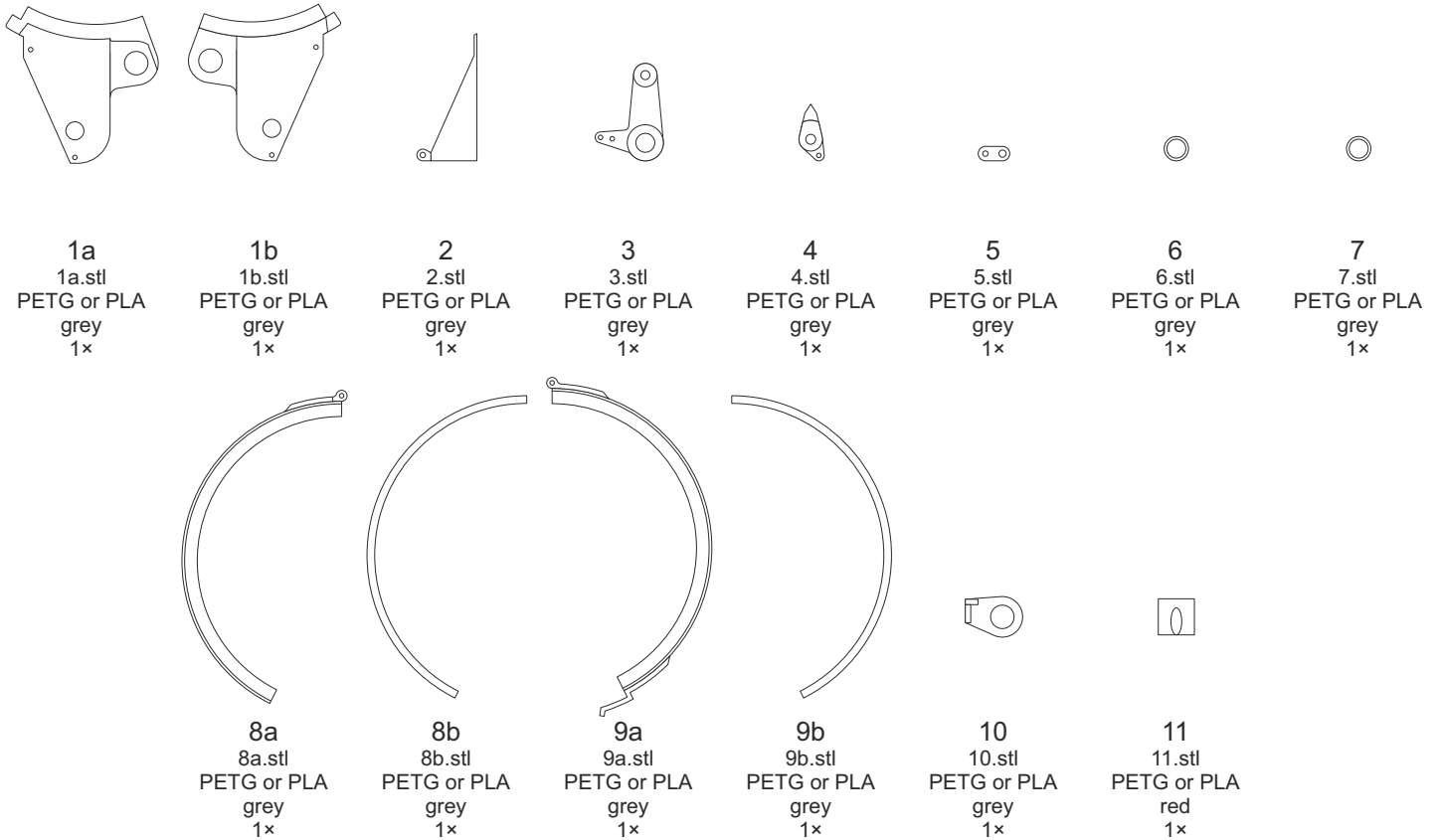
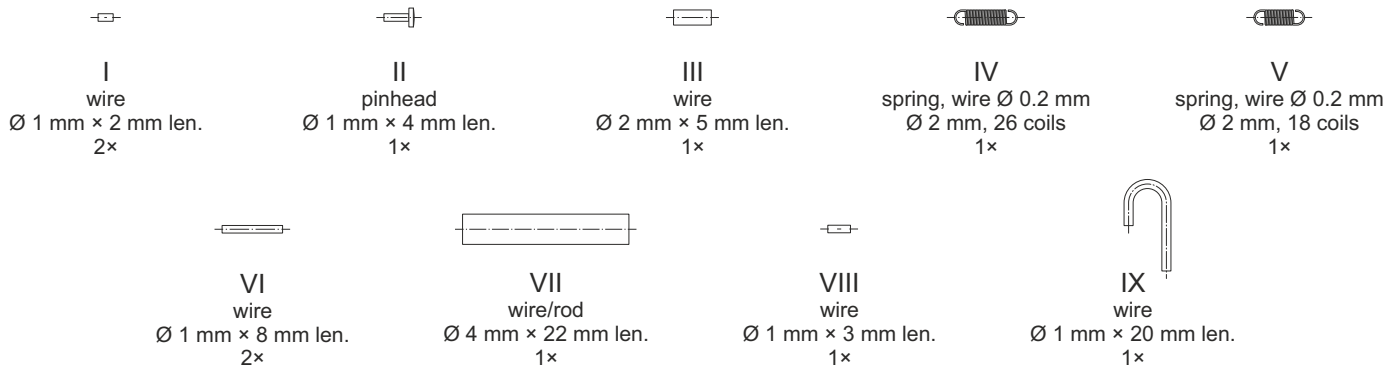


## Parts for 3D printing



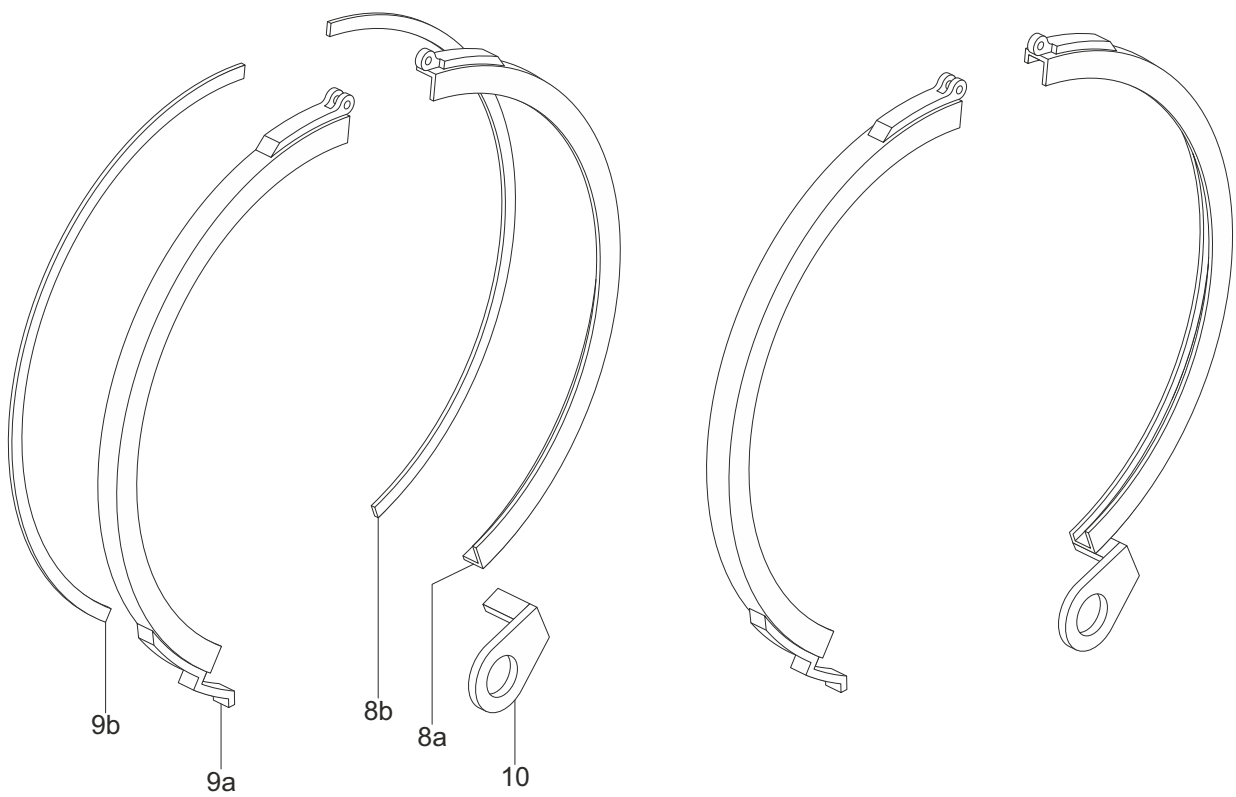
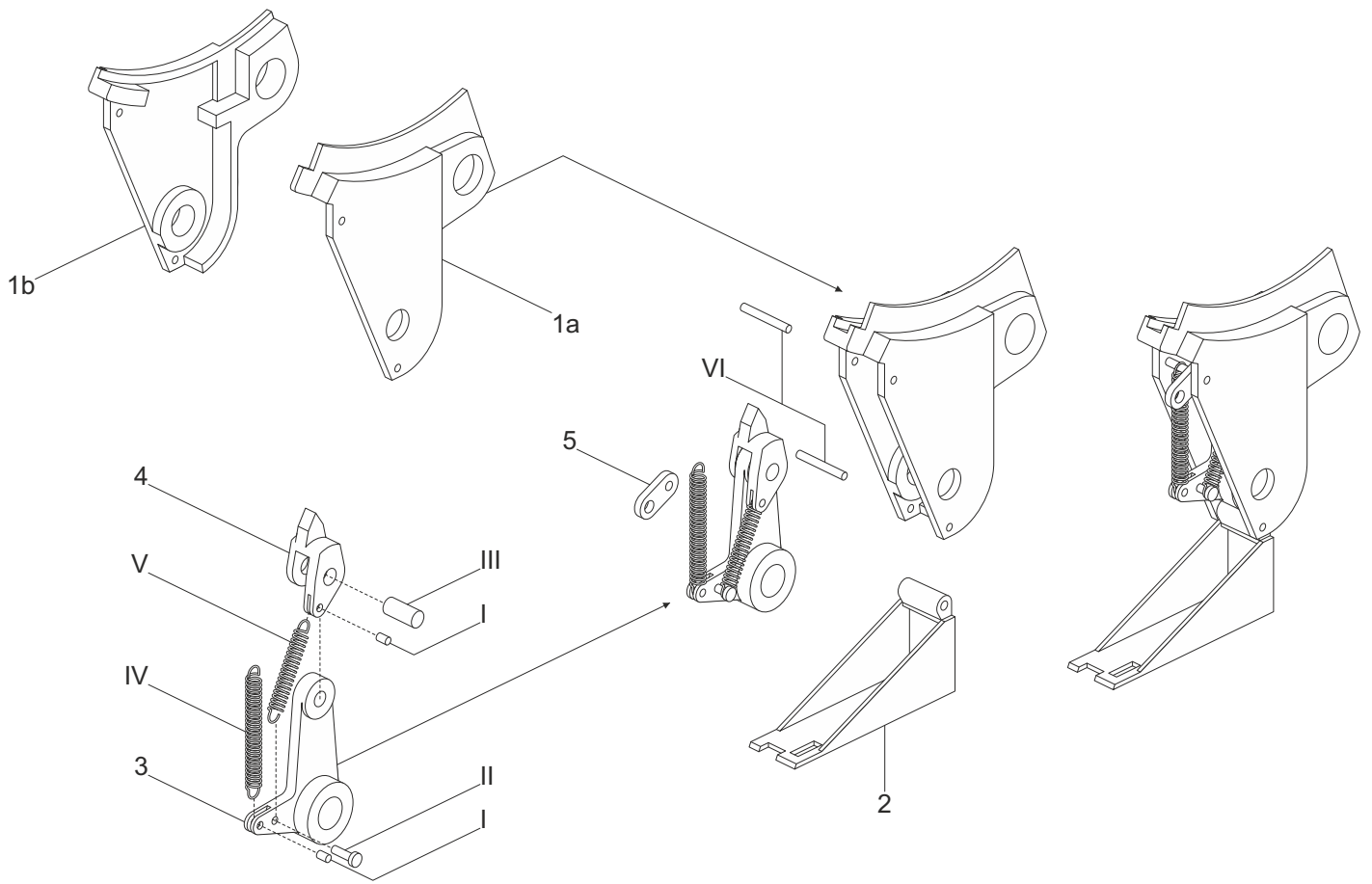
## Other required parts



## Anti-reversing ratchet for signal lever, scale 1:5

### List of parts

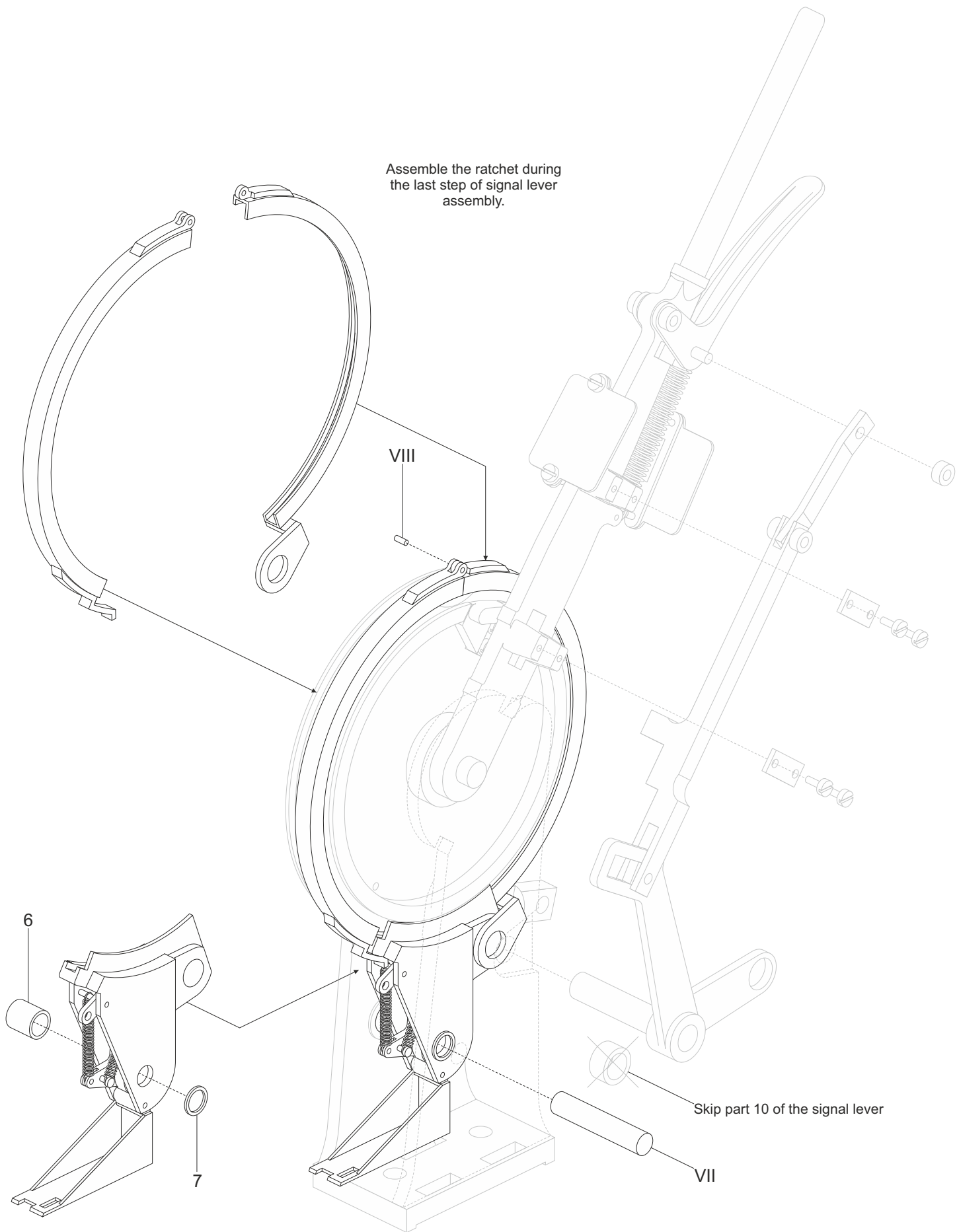
Author: Paweł Adamowicz (<http://pkprepo.net/>), 2025, selected rights reserved



# Anti-reversing ratchet for signal lever, scale 1:5

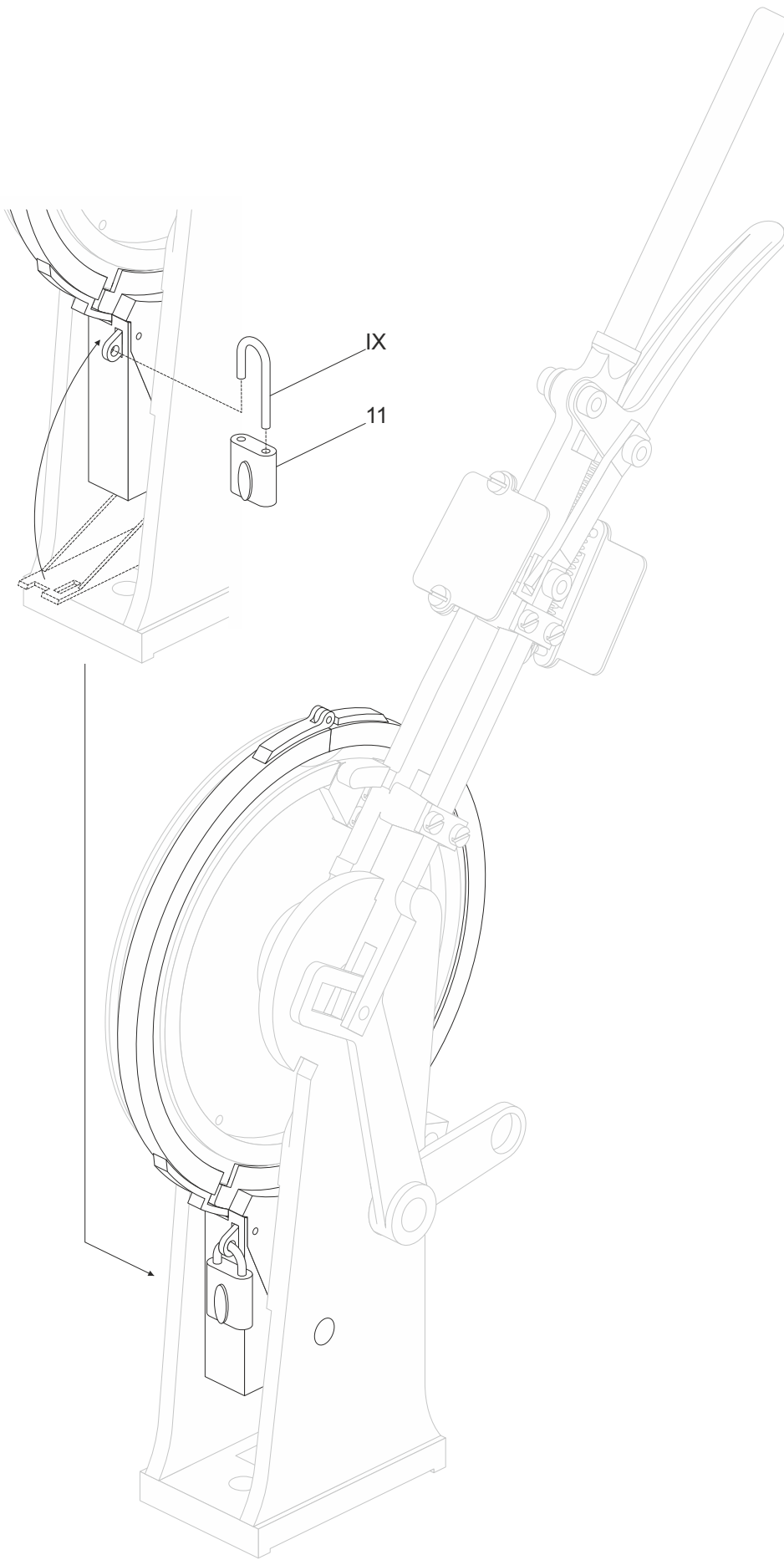
Assembly manual 1/3

Assemble the ratchet during the last step of signal lever assembly.

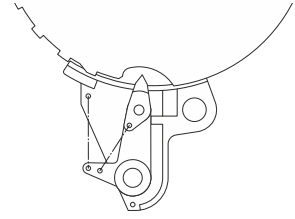


## Anti-reversing ratchet for signal lever, scale 1:5

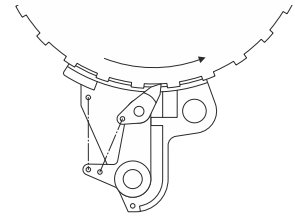
Assembly manual 2/3



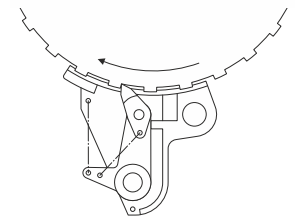
## Ratchet operation



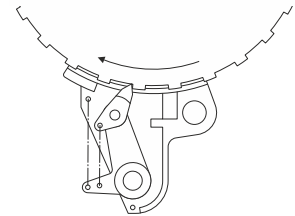
Initial position.



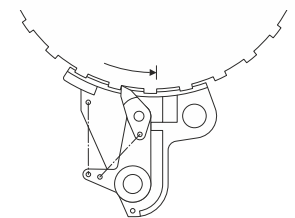
Turning the lever.



Normal reversing of the lever from switched position.



Reversing the lever before reaching the switched position.



Ratchet locks the lever if switching is attempted from intermediary position.

# Anti-reversing ratchet for signal lever, scale 1:5

Assembly manual 3/3

Author: Paweł Adamowicz (<http://pkprepo.net/>), 2025, selected rights reserved 